



Submittal Data Sheet: FRUE-16B Models

UPBLAST ROOF FAN



FRUE-16B Models

Features:

- Designed for high temperature environments
- Aluminum Alloy components
- Most advanced blower motor cooling in it's class.
- Direct Drive and Belt Drive models
- Anti-explosion type is available
- ISO 9001:2018 controllable standard
- UL 762 test grant

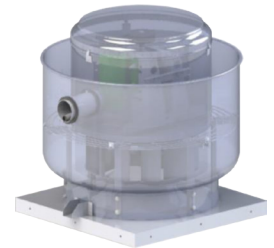
| | | | |
|---------------|--|------------|--|
| Job Name: | | Tag #: | |
| Location | | Date: | |
| Engineer: | | Approval: | |
| Submitted to: | | Unit #: | |
| Submitted by: | | Drawing #: | |
| Reference | | PO #: | |

YMGI Upblast Roof Fans offer the latest features, and are designed to provide efficient and reliable operation for commercial industries. State-of-the-art manufacturing techniques include laser cut, extruded, and die cast parts, precision welding, and strict quality control testing to ensure years of trouble free use.

FRUE-16B Series

Made from laser cut aluminum alloy to ensure precision fit. The aluminum alloy base allows for easy installation. Galvanized steel driver cover can be opened without tools, for easy cleaning and maintenance. Each model has a unique motor bracket design, based on the motor orientation, and transmission type.

Different environments require different impeller materials. We offer carbon steel, stainless steel and aluminum alloy impellers. Impellers are built using laser cut and die cast parts. The impeller surface has an industrial strength coating for durability. Impeller balance test grades are in strict accordance with the G4.0 ISO1940. This series, roof blowers use an aluminum alloy wheel.

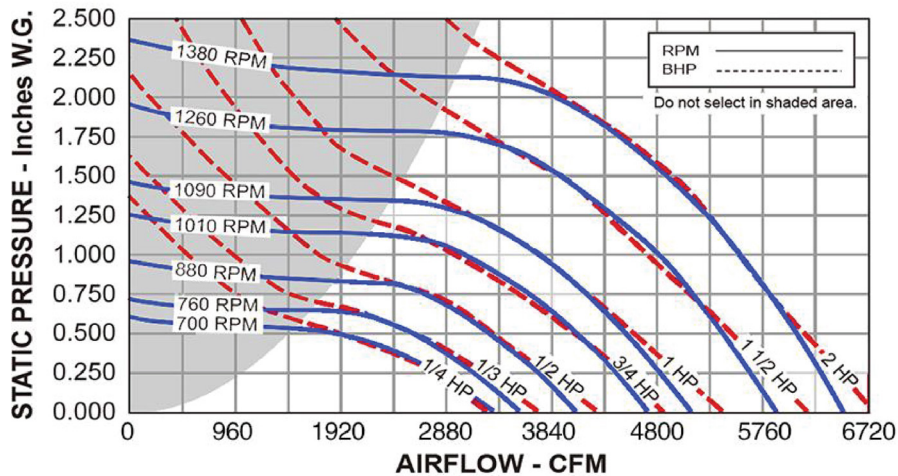
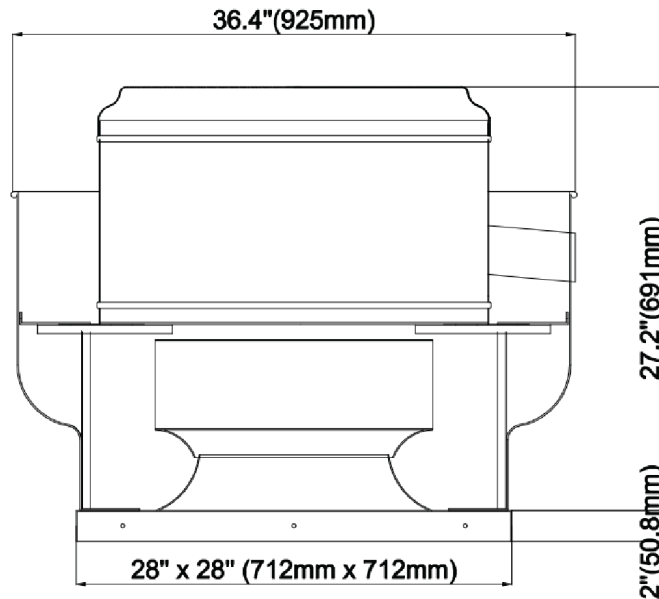


| Model | AC motor 1Ø | | AC motor 3Ø | | HP | | Fan Speed | |
|---------------------|-------------------|-----------|-------------------|-------------------|--------|--------|-----------|--|
| | 220V/50Hz or 60Hz | 120V/60Hz | 380V/50Hz or 60Hz | 230V/50Hz or 60Hz | 0.50HP | 0.50HP | 850RPM | |
| FRUE-16B-0AA | 220V/50Hz or 60Hz | 120V/60Hz | 380V/50Hz or 60Hz | 230V/50Hz or 60Hz | 0.75HP | 0.75HP | 1000RPM | |
| | 220V/50Hz or 60Hz | 120V/60Hz | 380V/50Hz or 60Hz | 230V/50Hz or 60Hz | 1.0HP | 1.0HP | 1130RPM | |
| FRUE-16B-0BA | 220V/50Hz or 60Hz | 120V/60Hz | 380V/50Hz or 60Hz | 230V/50Hz or 60Hz | 1.5HP | 1.5HP | 1250RPM | |
| | 220V/50Hz or 60Hz | 120V/60Hz | 380V/50Hz or 60Hz | 230V/50Hz or 60Hz | 2.0HP | 2.0HP | 1400RPM | |
| FRUE-16B-0CA | 220V/50Hz or 60Hz | 120V/60Hz | 380V/50Hz or 60Hz | 230V/50Hz or 60Hz | 2.0HP | 2.0HP | 1400RPM | |

| CFM | Static Pressure in Inches W.G. | | | | | | | | | | | | | | | | | | | | | |
|------|--------------------------------|------|-------|------|-------|------|-------|------|-------|------|-------|------|-------|------|-------|------|-------|------|-------|------|-------|------|
| | 0.000 | | 0.250 | | 0.500 | | 0.750 | | 1.000 | | 1.250 | | 1.500 | | 1.750 | | 2.000 | | 2.250 | | 2.500 | |
| | RPM | | RPM | | RPM | | RPM | | RPM | | RPM | | RPM | | RPM | | RPM | | RPM | | RPM | |
| | Sone | BHP | Sone | BHP | Sone | BHP | Sone | BHP | Sone | BHP | Sone | BHP | Sone | BHP | Sone | BHP | Sone | BHP | Sone | BHP | Sone | BHP |
| 1728 | | | | | 6.6 | 0.23 | 9.3 | 0.35 | 11.2 | 0.46 | 12.2 | 0.56 | | | | | | | | | | |
| 2268 | | | 5.56 | | 6.66 | | 7.85 | | 9.01 | | 10.05 | | 10.96 | | 11.79 | | 12.56 | | 13.27 | | 13.95 | |
| 2808 | 5.75 | | 6.68 | | 7.52 | | 8.41 | | 9.36 | | 10.32 | | 11.24 | | 12.10 | | 12.90 | | 13.64 | | 14.33 | |
| 3348 | 7.4 | 0.17 | 9.4 | 0.28 | 10.3 | 0.39 | 11.4 | 0.55 | 11.7 | 0.74 | 13.4 | 0.95 | 15.8 | 1.16 | 17.3 | 1.36 | 18.8 | 1.56 | 20 | 1.75 | 21 | 1.92 |
| | 7.05 | | 7.84 | | 8.57 | | 9.27 | | 10.00 | | 10.78 | | 11.58 | | 12.38 | | 13.17 | | 13.91 | | 14.63 | |
| 3888 | 8.36 | | 9.09 | | 9.70 | | 10.29 | | 10.89 | | 11.52 | | 12.17 | | 12.85 | | 13.53 | | 14.22 | | 14.90 | |
| | 13.9 | 0.46 | 14.8 | 0.63 | 14.5 | 0.77 | 15 | 0.92 | 16.4 | 1.1 | 17.9 | 1.3 | 18.7 | 1.53 | 19.7 | 1.79 | 21 | 2.07 | 22 | 2.36 | 23 | 2.66 |
| 4428 | 9.67 | | 10.33 | | 10.88 | | 11.40 | | 11.91 | | 12.45 | | 12.98 | | 13.54 | | 14.12 | | 14.70 | | 15.30 | |
| | 15.6 | 0.69 | 17.3 | 0.88 | 17.7 | 1.05 | 19.3 | 1.21 | 19.9 | 1.39 | 20 | 1.59 | 21 | 1.81 | 22 | 2.06 | 23 | 2.33 | 23 | 2.62 | 24 | 2.94 |
| 4968 | 10.98 | | 11.58 | | 12.09 | | 12.56 | | 13.02 | | 13.48 | | 13.94 | | 14.42 | | 14.91 | | 15.40 | | | |
| | 19 | 0.98 | 21 | 1.21 | 22 | 1.39 | 22 | 1.58 | 23 | 1.76 | 23 | 1.97 | 24 | 2.19 | 24 | 2.43 | 25 | 2.69 | 26 | 2.97 | | |
| 5508 | 12.29 | | 12.84 | | 13.31 | | 13.74 | | 14.17 | | 14.58 | | 14.99 | | 15.41 | | | | | | | |
| | 24 | 1.35 | 24 | 1.6 | 25 | 1.81 | 25 | 2.02 | 26 | 2.22 | 27 | 2.44 | 27 | 2.66 | 27 | 2.9 | | | | | | |
| 6048 | 13.59 | | 14.11 | | 14.55 | | 14.95 | | 15.34 | | 15.72 | | | | | | | | | | | |
| | 27 | 1.79 | 28 | 2.08 | 28 | 2.32 | 29 | 2.55 | 29 | 2.77 | 30 | 2.99 | | | | | | | | | | |



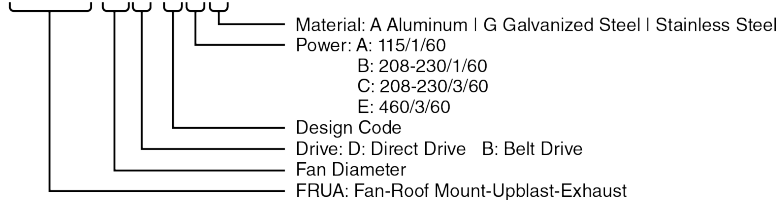
UPBLAST ROOF FAN



YMGI Model Nomenclature

Model Number:

FRUE-10D-OAA



Applications:

- Factory Exhaust
- Low noise Industry
- Restaurant Grease Exhaust
- Agricultural area

YMGI Group
 601 Arrow Ln, O'Fallon, Missouri 63366
 Phone: 1-866-833-3138
 Fax: 1-866-377-3355
 ymgigroup.com
 sales@ymgigroup.com

Sales Representative or Distributor: