



## Submittal Data Sheet: FRUE-18B Models

### UPBLAST ROOF FAN



FRUE-18B Models

#### Features:

- Designed for high temperature environments
- Aluminum Alloy components
- Most advanced blower motor cooling in it's class.
- Direct Drive and Belt Drive models
- Anti-explosion type is available
- ISO 9001:2018 controllable standard
- UL 762 test grant

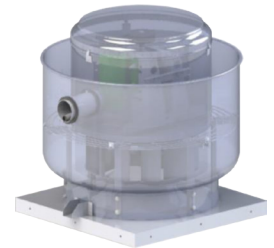
Job Name:		Tag #:	
Location		Date:	
Engineer:		Approval:	
Submitted to:		Unit #:	
Submitted by:		Drawing #:	
Reference		PO #:	

YMGI Upblast Roof Fans offer the latest features, and are designed to provide efficient and reliable operation for commercial industries. State-of-the-art manufacturing techniques include laser cut, extruded, and die cast parts, precision welding, and strict quality control testing to ensure years of trouble free use.

#### FRUE-18B Series

Made from laser cut aluminum alloy to ensure precision fit. The aluminum alloy base allows for easy installation. Galvanized steel driver cover can be opened without tools, for easy cleaning and maintenance. Each model has a unique motor bracket design, based on the motor orientation, and transmission type.

Different environments require different impeller materials. We offer carbon steel, stainless steel and aluminum alloy impellers. Impellers are built using laser cut and die cast parts. The impeller surface has an industrial strength coating for durability. Impeller balance test grades are in strict accordance with the G4.0 ISO1940. This series, roof blowers use an aluminum alloy wheel.



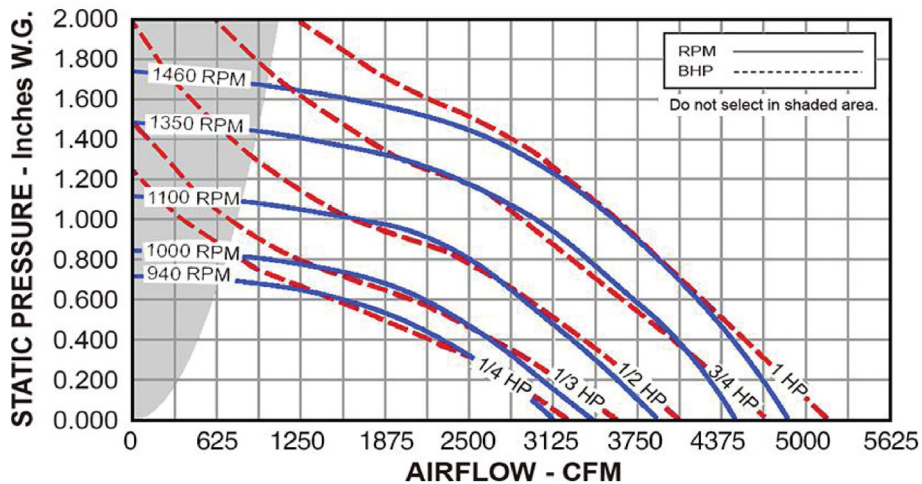
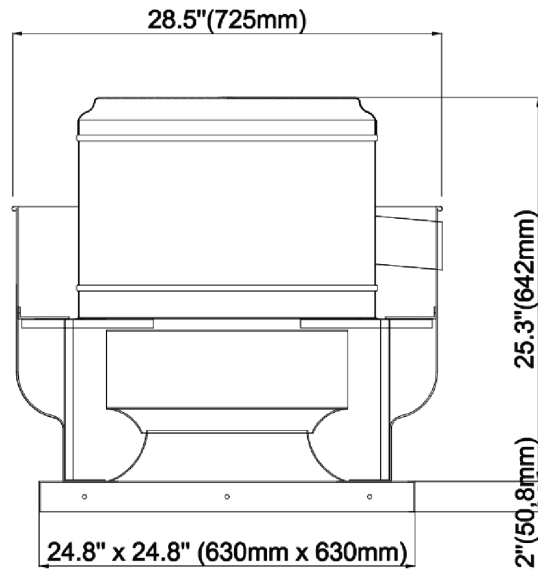
Model	AC motor 1Ø	AC motor 3Ø	HP	Fan Speed
<b>FRUE-18B-0AA</b>	220V/50Hz or 60Hz	460V/50Hz or 60Hz	0.75HP	700 RPM
	120V/60Hz	230V/50Hz or 60Hz	0.75HP	
<b>FRUE-18B-0BA</b>	220V/50Hz or 60Hz	460V/50Hz or 60Hz	1.0HP	850 RPM
	120V/60Hz	230V/50Hz or 60Hz	1.0HP	
<b>FRUE-18B-0CA</b>	220V/50Hz or 60Hz	460V/50Hz or 60Hz	1.5HP	1000 RPM
	120V/60Hz	230V/50Hz or 60Hz	1.5HP	
<b>FRUE-18B-0EA</b>	220V/50Hz or 60Hz	460V/50Hz or 60Hz	2.0HP	1250 RPM
	120V/60Hz	230V/50Hz or 60Hz	2.0HP	
	None	460V/50Hz or 60Hz	3.0HP	1420 RPM
		230V/50Hz or 60Hz	3.0HP	

CFM	Static Pressure in Inches W.G.																			
	0.000		0.250		0.500		0.750		1.000		1.250		1.500		1.750		2.000			
	RPM	BHP	RPM	BHP	RPM	BHP	RPM	BHP	RPM	BHP	RPM	BHP	RPM	BHP	RPM	BHP	RPM	BHP		
2160					537	0.25	656	0.41												
2835					586	0.34	685	0.5	778	0.69	867	0.9	952	1.12						
3510					563	0.3	655	0.46	739	0.64	819	0.83	895	1.05	971	1.29	1044	1.54	1114	1.8
4185	566	0.28	652	0.45	733	0.63	807	0.82	878	1.03	945	1.26	1011	1.5	1075	1.76				
4860	671	0.45	745	0.64	817	0.84	884	1.06	948	1.29	1009	1.53	1067	1.78						
5535	776	0.67	841	0.88	905	1.11	966	1.35	1024	1.6	1080	1.86								
6210	882	0.95	938	1.19	996	1.44	1052	1.71	1106	1.98										
6885	987	1.31	1038	1.56	1090	1.84														
7560	1092																			
	25	1.74																		



# Submittal Data Sheet: FRUE-18B Models

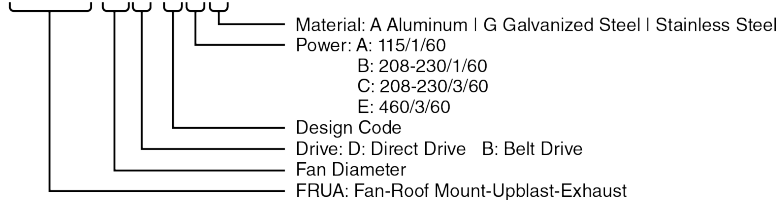
## UPBLAST ROOF FAN



## YMGI Model Nomenclature

### Model Number:

FRUE-10D-0AA



## Applications:

- Factory Exhaust
- Low noise Industry
- Restaurant Grease Exhaust
- Agricultural area

### YMGI Group

601 Arrow Ln, O'Fallon, Missouri 63366  
 Phone: 1-866-833-3138  
 Fax: 1-866-377-3355  
 ymgigroup.com  
 sales@ymgigroup.com

Sales Representative or Distributor: