



Submittal Data Sheet: FRUE-20B Models

UPBLAST ROOF FAN



FRUE-18B Models

Features:

- Designed for high temperature environments
- Aluminum Alloy components
- Most advanced blower motor cooling in it's class.
- Direct Drive and Belt Drive models
- Anti-explosion type is available
- ISO 9001:2018 controllable standard
- UL 762 test grant

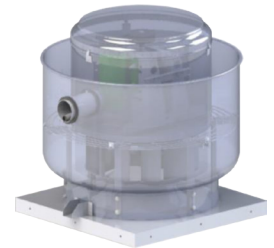
Job Name:		Tag #:	
Location		Date:	
Engineer:		Approval:	
Submitted to:		Unit #:	
Submitted by:		Drawing #:	
Reference		PO #:	

YMGI Upblast Roof Fans offer the latest features, and are designed to provide efficient and reliable operation for commercial industries. State-of-the-art manufacturing techniques include laser cut, extruded, and die cast parts, precision welding, and strict quality control testing to ensure years of trouble free use.

FRUE-20B Series

Made from laser cut aluminum alloy to ensure precision fit. The aluminum alloy base allows for easy installation. Galvanized steel driver cover can be opened without tools, for easy cleaning and maintenance. Each model has a unique motor bracket design, based on the motor orientation, and transmission type.

Different environments require different impeller materials. We offer carbon steel, stainless steel and aluminum alloy impellers. Impellers are built using laser cut and die cast parts. The impeller surface has an industrial strength coating for durability. Impeller balance test grades are in strict accordance with the G4.0 ISO1940. This series, roof blowers use an aluminum alloy wheel.



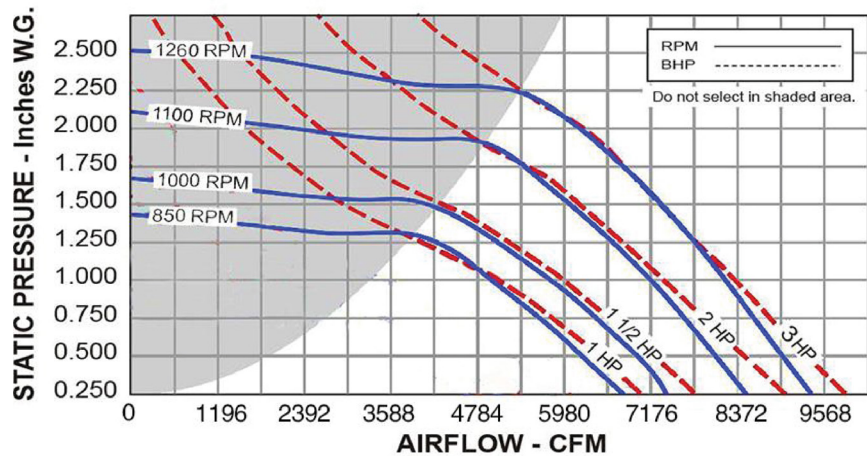
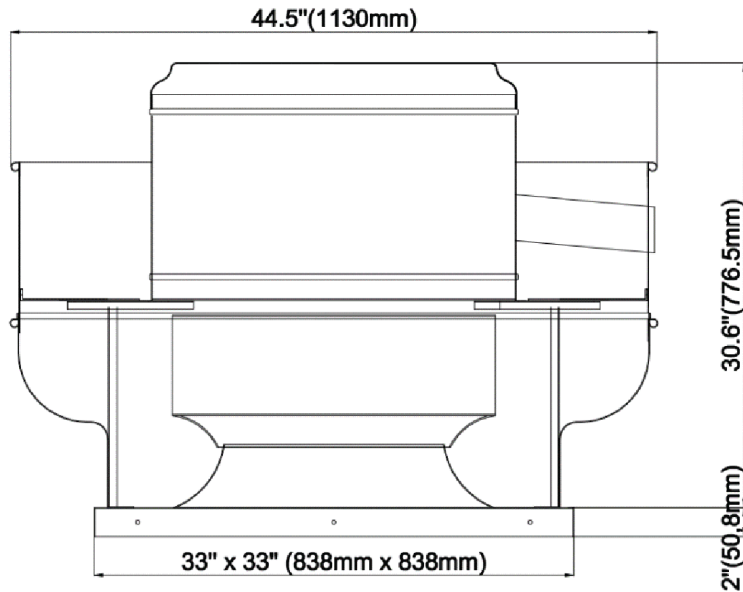
Model	AC motor 1Ø		AC motor 3Ø		HP	Fan Speed
FRUE-20B-0AA FRUE-20B-0BA FRUE-20B-0CA	220V/50Hz or 60Hz		380V/50Hz or 60Hz		1.0HP	800RPM
	120V/60Hz		230V/50Hz or 60Hz		1.0HP	
	220V/50Hz or 60Hz		380V/50Hz or 60Hz		1.5HP	950RPM
	120V/60Hz		230V/50Hz or 60Hz		1.5HP	
	220V/50Hz or 60Hz		380V/50Hz or 60Hz		2.0HP	1100RPM
	120V/60Hz		230V/50Hz or 60Hz		2.0HP	
	None		380V/50Hz or 60Hz		3.0HP	1260RPM
			230V/50Hz or 60Hz		3.0HP	

CFM	Static Pressure in Inches W.G.																	
	0.000		0.250		0.500		0.750		1.000		1.250		1.500		1.750		2.000	
	RPM		RPM		RPM		RPM		RPM		RPM		RPM		RPM		RPM	
	Sone	BHP	Sone	BHP	Sone	BHP	Sone	BHP	Sone	BHP	Sone	BHP	Sone	BHP	Sone	BHP	Sone	BHP
2574					537		656											
					5.4	0.29	8.3	0.46										
3432					586		685		778		867		952					
					6.7	0.38	9.1	0.56	10.9	0.78	13	1.02	14.8	1.27				
4290			563		655		739		819		895		971		1044		1114	
			7.5	0.34	9.4	0.52	10.1	0.72	11.8	0.94	13.6	1.19	15.1	1.46	16.5	1.74	18.6	2.03
5005	566		652		733		807		878		945		1011		1075			
	8.3	0.32	10.4	0.51	11.2	0.72	12.2	0.93	13.2	1.16	14.7	1.42	15.9	1.7	17.3	1.98		
5792	671		745		817		884		948		1009		1067					
	11.7	0.51	12.4	0.72	13.6	0.95	14.7	1.2	16	1.46	16.6	1.73	17.5	2.01				
6578	776		841		905		966		1024		1080							
	14.1	0.75	16	1	16.6	1.25	17.6	1.53	18.1	1.8	19.3	2.1						
7436	882		938		996		1052		1106									
	17.4	1.07	19.4	1.35	19.6	1.63	20	1.93	22	2.24								
8223	987		1038		1090													
	21	1.48	22	1.76	23	2.08												
9009	1092																	
	25	1.97																



Submittal Data Sheet: FRUE-20B Models

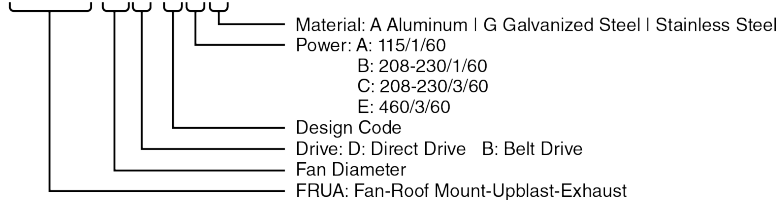
UPBLAST ROOF FAN



YMGI Model Nomenclature

Model Number:

FRUE-10D-OAA



Applications:

- Factory Exhaust
- Low noise Industry
- Restaurant Grease Exhaust
- Agricultural area

YMGI Group

601 Arrow Ln, O'Fallon, Missouri 63366
Phone: 1-866-833-3138
Fax: 1-866-377-3355
ymgigroup.com
sales@ymgigroup.com

Sales Representative or Distributor: