



## Submittal Data Sheet: FRUE-24B Models

### UPBLAST ROOF FAN



FRUE-24B Models

#### Features:

- Designed for high temperature environments
- Aluminum Alloy components
- Most advanced blower motor cooling in it's class.
- Direct Drive and Belt Drive models
- Anti-explosion type is available
- ISO 9001:2018 controllable standard
- UL 762 test grant

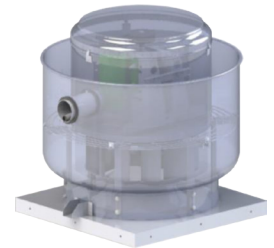
Job Name:		Tag #:	
Location		Date:	
Engineer:		Approval:	
Submitted to:		Unit #:	
Submitted by:		Drawing #:	
Reference		PO #:	

YMGI Upblast Roof Fans offer the latest features, and are designed to provide efficient and reliable operation for commercial industries. State-of-the-art manufacturing techniques include laser cut, extruded, and die cast parts, precision welding, and strict quality control testing to ensure years of trouble free use.

#### FRUE-24B Series

Made from laser cut aluminum alloy to ensure precision fit. The aluminum alloy base allows for easy installation. Galvanized steel driver cover can be opened without tools, for easy cleaning and maintenance. Each model has a unique motor bracket design, based on the motor orientation, and transmission type.

Different environments require different impeller materials. We offer carbon steel, stainless steel and aluminum alloy impellers. Impellers are built using laser cut and die cast parts. The impeller surface has an industrial strength coating for durability. Impeller balance test grades are in strict accordance with the G4.0 ISO1940. This series, roof blowers use an aluminum alloy wheel.



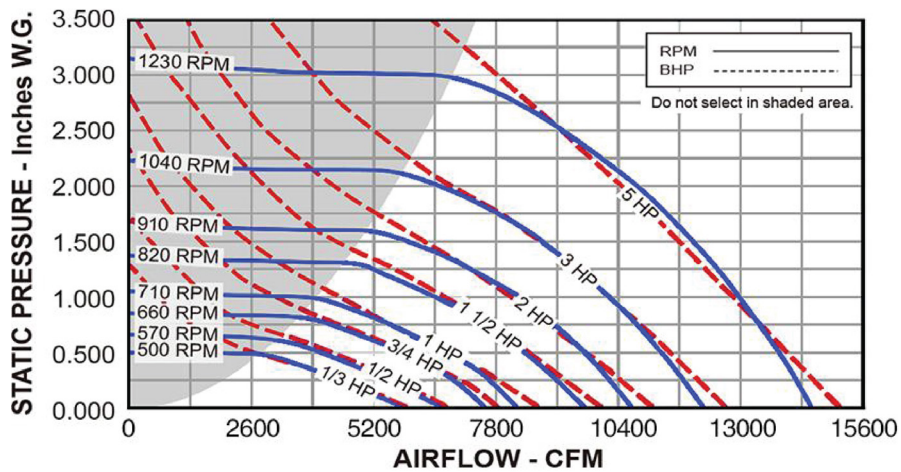
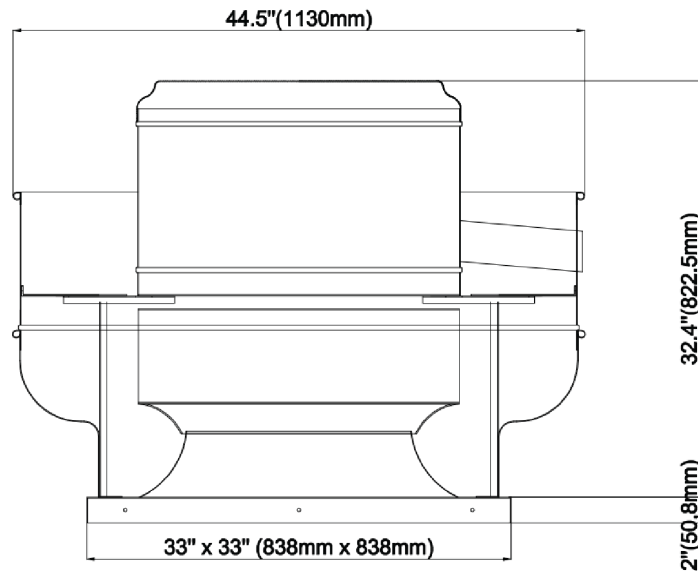
Model	AC motor 1Ø		AC motor 3Ø		HP	Fan Speed
<b>FRUE-24B-0BA</b> <b>FRUE-24B-0CA</b> <b>FRUE-24B-0EA</b>	220V/50Hz or 60Hz		460V/50Hz or 60Hz		1.5HP	760 RPM
	120V/60Hz		230V/50Hz or 60Hz		1.5HP	
	220V/50Hz or 60Hz		460V/50Hz or 60Hz		2.0HP	860 RPM
120V/60Hz		230V/50Hz or 60Hz		2.0HP		
None			460V/50Hz or 60Hz		3.0HP	960 RPM
			230V/50Hz or 60Hz		3.0HP	

CFM	Static Pressure in Inches W.C.																							
	0.000		0.250		0.500		0.750		1.000		1.250		1.500		1.750		2.00		2.25		2.50		2.75	
	RPM		RPM		RPM		RPM		RPM		RPM		RPM		RPM		RPM		RPM		RPM		RPM	
	Sone	BHP	Sone	BHP	Sone	BHP	Sone	BHP	Sone	BHP	Sone	BHP	Sone	BHP	Sone	BHP	Sone	BHP	Sone	BHP	Sone	BHP	Sone	BHP
3380			413		505																			
			5.30	0.23	7.30	0.41																		
4680	413		502		581		650		712		771													
	6.40	0.20	8.20	0.41	9.30	0.64	11.50	0.89	13.40	1.15	14.70	1.44												
5980	530		602		668		729		785		838		887		934		979		1024					
	9.60	0.43	11.30	0.69	12.90	0.97	13.80	1.26	14.90	1.57	15.80	1.90	16.80	2.24	18.10	2.59	19.80	2.96	22.00	3.36				
7280	648		708		764		817		868		915		961		1004		1045		1084		1124		1161	
	13.40	0.79	14.70	1.10	16.00	1.43	16.30	1.77	17.30	2.13	17.50	2.50	19.10	2.88	21.00	3.28	23.00	3.68	24.00	4.09	27.00	4.53	29.00	4.97
8580	766		818		866		912		957		1000		1042		1083		1121							
	17.00	1.30	18.00	1.67	18.10	2.05	19.20	2.44	19.40	2.85	21.00	3.27	23.00	3.70	24.00	4.14	26.00	4.59						
9880	884		930		972		1013		1052		1092		1130											
	19.80	2.00	22.00	2.42	22.00	2.85	23.00	3.29	25.00	3.75	27.00	4.22	27.00	4.70										
11180	1002		1042		1081		1117		1153															
	25.00	2.91	27.00	3.39	28.00	3.87	29.00	4.37	31.00	4.87														
12480	1119		1156																					
	32.00	4.06	35.00	4.59																				



# Submittal Data Sheet: FRUE-24B Models

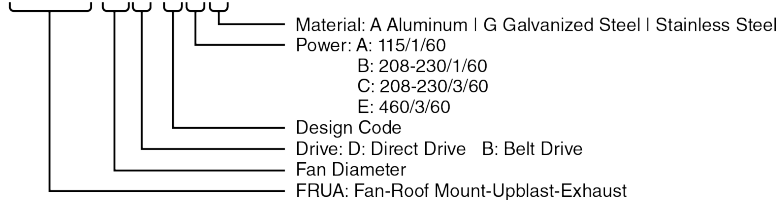
## UPBLAST ROOF FAN



## YMGI Model Nomenclature

### Model Number:

FRUE-10D-OAA



## Applications:

- Factory Exhaust
- Low noise Industry
- Restaurant Grease Exhaust
- Agricultural area

### YMGI Group

601 Arrow Ln, O'Fallon, Missouri 63366  
 Phone: 1-866-833-3138  
 Fax: 1-866-377-3355  
 ymgigroup.com  
 sales@ymgigroup.com

Sales Representative or Distributor: