



Submittal Data Sheet: FRUE-32B Models

UPBLAST ROOF FAN



FRUE-32B Models

Features:

- Designed for high temperature environments
- Aluminum Alloy components
- Most advanced blower motor cooling in it's class.
- Direct Drive and Belt Drive models
- Anti-explosion type is available
- ISO 9001:2018 controllable standard
- UL 762 test grant

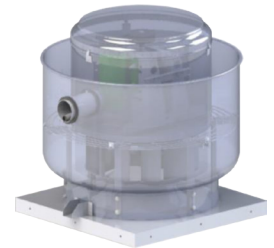
Job Name:		Tag #:	
Location		Date:	
Engineer:		Approval:	
Submitted to:		Unit #:	
Submitted by:		Drawing #:	
Reference		PO #:	

YMGI Upblast Roof Fans offer the latest features, and are designed to provide efficient and reliable operation for commercial industries. State-of-the-art manufacturing techniques include laser cut, extruded, and die cast parts, precision welding, and strict quality control testing to ensure years of trouble free use.

FRUE-32B Series

Made from laser cut aluminum alloy to ensure precision fit. The aluminum alloy base allows for easy installation. Galvanized steel driver cover can be opened without tools, for easy cleaning and maintenance. Each model has a unique motor bracket design, based on the motor orientation, and transmission type.

Different environments require different impeller materials. We offer carbon steel, stainless steel and aluminum alloy impellers. Impellers are built using laser cut and die cast parts. The impeller surface has an industrial strength coating for durability. Impeller balance test grades are in strict accordance with the G4.0 ISO1940. This series, roof blowers use an aluminum alloy wheel.



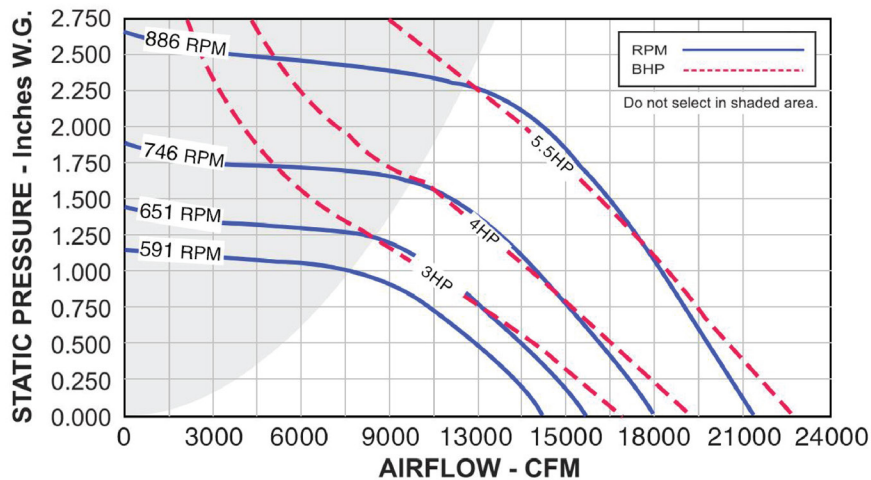
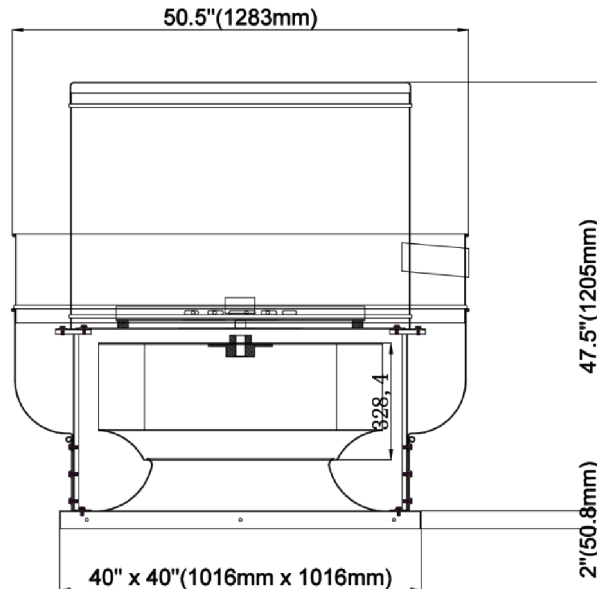
Model	AC motor 1Ø	AC motor 3Ø	HP	Fan Speed
FRUE-32B-0BA FRUE-32B-0CA	None	380V/50Hz or 60Hz	4.0HP	650RPM
		230V/50Hz or 60Hz	4.0HP	
	None	380V/50Hz or 60Hz	5.5HP	750RPM
		230V/50Hz or 60Hz	5.5HP	
	None	380V/50Hz or 60Hz	7.5HP	850RPM
		230V/50Hz or 60Hz	7.5HP	

CFM	Static Pressure in Inches W.G.																			
	0.000		0.250		0.500		0.750		1.000		1.250		1.500		1.750		2.000		2.250	
	Sone	BHP	Sone	BHP	Sone	BHP	Sone	BHP	Sone	BHP	Sone	BHP	Sone	BHP	Sone	BHP	Sone	BHP	Sone	BHP
8730					500		555		607		657		707		757					
				9.7	1.5	10.6	1.9	12.2	2.9	13.7	3.8	15.1	4.5	16.4	5.3					
10500			503		557		606		652		696		738		781		822		863	
		11.2	1.6	11.8	2.1	12.6	3	13.6	3.9	14.8	4.5	15.9	5.6	17	6.2	18.3	6.7	19.4	6.9	
12225	520		569		617		662		703		743		782		819		855			
	13.2	1.4	13.7	2.1	13.8	3.1	15.2	4.3	15.9	3.6	16.1	5.6	17.1	6.2	19.1	6.4	19.8	6.8		
13950	594		637		680		721		759		796		831		865					
	14.6	2.3	16.3	3.21	17	4.4	17	4.9	18.2	6.5	19.3	6.3	21	6.7	21	6.7				
15759	669		707		745		782		818											
	17.4	3.3	18.9	4.3	20	5.2	19	6.3	22	6.5										
17475	743		777		812		846													
	20	4.78	22	5.3	23	6.5	24	6.8												
19200	817		848		880															
	26	6.12	26	6.67	27	7														
21000	891																			
	29	7.01																		



Submittal Data Sheet: FRUE-32B Models

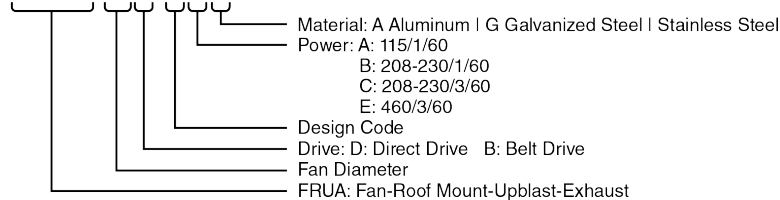
UPBLAST ROOF FAN



YMGI Model Nomenclature

Model Number:

FRUE-10D-OAA



Applications:

- Factory Exhaust
- Low noise Industry
- Restaurant Grease Exhaust
- Agricultural area

YMGI Group

601 Arrow Ln, O'Fallon, Missouri 63366
 Phone: 1-866-833-3138
 Fax: 1-866-377-3355
 ymgigroup.com
 sales@ymgigroup.com

Sales Representative or Distributor: