



Submittal Data Sheet: FUTY-08 Models

UTILITY FAN



FUTY-08 Models

Utility Fan Features:

- Concentric mount bearings with industry's highest cataloged bearing life
- Fully molded and fully welded construction
- Corrosion resistant, electrostatically applied and baked powder coatings
- Belt Drive and Direct Drive configurations
- A variety of available motor brackets
- ISO 9001:2000 controllable standard

Job Name:		Tag #:	
Location		Date:	
Engineer:		Approval:	
Submitted to:		Unit #:	
Submitted by:		Drawing #:	
Reference		PO #:	

YMGI CBA Centrifugal Blowers are designed to provide efficient and reliable operation for commercial and extractive industries.

Manufactured with state of the art laser cutting, molding, latheing and welding equipment to ensure quality construction. Our quality control and testing ensure trouble free operation. Our CBA Centrifugal Blowers have industry leading design features using the latest technologies available.

FUTY Series

- Direct drive, carbon steel and stainless steel are available.
- Designed for large air volume and medium pressure applications

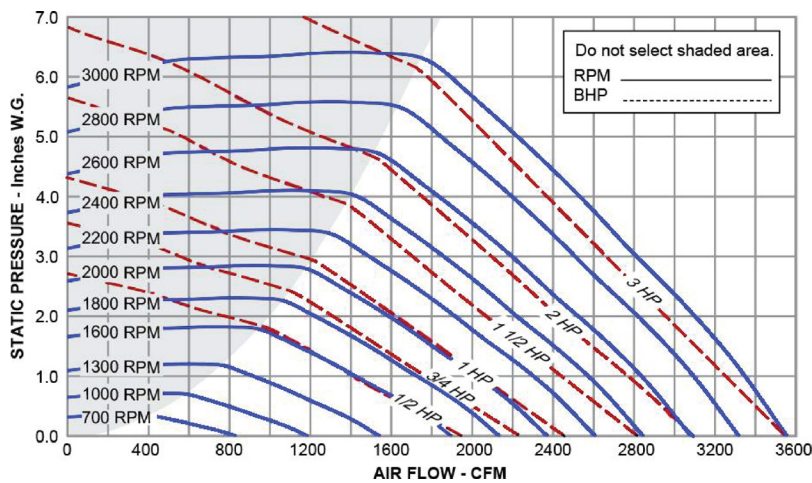
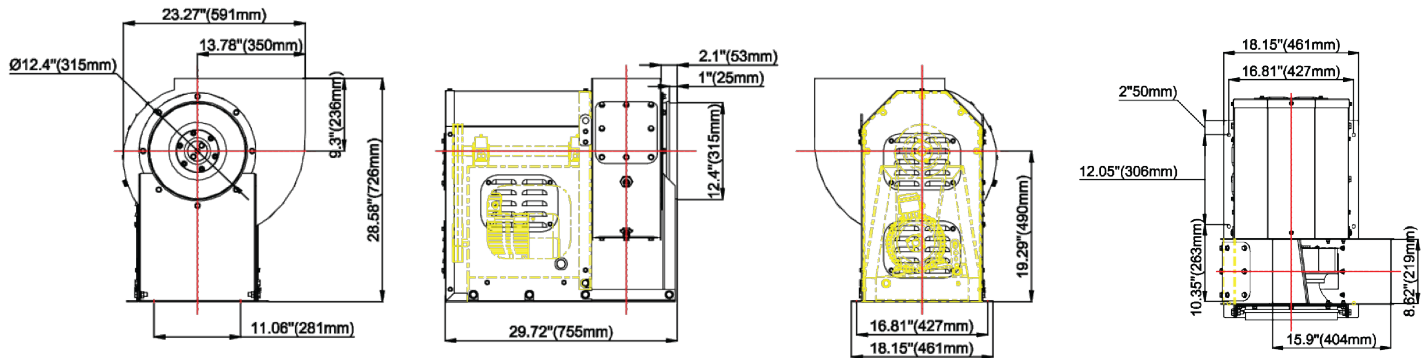
Model	Power	AC motor 1Ø	AC motor 3Ø	Fan Speed
FUTY-08-XX	0.5HP	220V/60Hz	220V/60Hz	1400 RPM
	0.5HP	120V/60Hz	120V/60Hz	
	0.75HP	220V/60Hz	220V/60Hz	1800 RPM
	0.75HP	120V/60Hz	120V/60Hz	
	1HP	220V/60Hz	220V/60Hz	2200 RPM
	1HP	120V/60Hz	120V/60Hz	
	1.5HP	220V/60Hz	220V/60Hz	2450 RPM
	1.5HP	120V/60Hz	120V/60Hz	
	2HP	220V/60Hz	460V/60Hz	2800 RPM
	2HP	120V/60Hz	230V/60Hz	

CFM	Static Pressure in Inches W.C.																	
	0.500		1.000		1.500		2.000		2.500		3.000		3.500		4.000		4.500	
	RPM		RPM		RPM		RPM		RPM		RPM		RPM		RPM		RPM	
	Sone	BHP	Sone	BHP	Sone	BHP	Sone	BHP	Sone	BHP	Sone	BHP	Sone	BHP	Sone	BHP	Sone	BHP
600	802		1152															
	6	0.08	7.9	0.16														
1100	1105		1341		1579		1785		1988		2172		2342		2499			
	8.7	0.17	9.8	0.28	11.4	0.42	13.6	0.56	15.2	0.71	16.5	0.87	17.8	1.03	19	1.2		
1600	1512		1685		1860		2013		2184		2344		2492		2631		2775	
	12.8	0.36	14	0.51	15.7	0.67	16.5	0.84	17.4	1.02	18.4	1.21	19.5	1.41	21	1.62	22	1.83
2100	1957		2092		2223		2358		2488		2610		2724		2856			
	18.4	0.69	19	0.86	19.7	1.05	21	1.26	21	1.47	22	1.69	23	1.91	24	2.16		
2600	2421		2519		2635		2742		2845									
	23	1.2	24	1.39	25	1.62	26	1.85	27	2.1								
3100	2888		2979															
	30	1.91	31	2.17														



Submittal Data Sheet: FUTY-08 Models

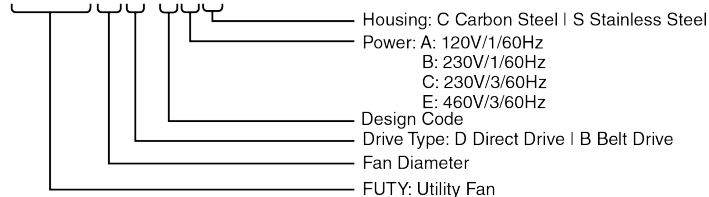
UTILITY FANS



YMGI Model Nomenclature

Model Number:

FUTY-14D-OBC



Applications:

- Stairwell Pressurization
- Explosive gases emissions
- Restaurant Grease Exhaust
- Mechanical equipment supporting

YMGI Group

601 Arrow Ln, O'Fallon, Missouri 63366
 Phone: 1-866-833-3138
 Fax: 1-866-377-3355
 ymgigroup.com
 sales@ymgigroup.com

Sales Representative or Distributor: