



Submittal Data Sheet: FUTY-10 Models

UTILITY FAN



FUTY-10 Models

Utility Fan Features:

- Concentric mount bearings with industry's highest cataloged bearing life
- Fully molded and fully welded construction
- Corrosion resistant, electrostatically applied and baked powder coatings
- Belt Drive and Direct Drive configurations
- A variety of available motor brackets
- ISO 9001:2000 controllable standard

Job Name:		Tag #:	
Location		Date:	
Engineer:		Approval:	
Submitted to:		Unit #:	
Submitted by:		Drawing #:	
Reference		PO #:	

YMG CBA Centrifugal Blowers are designed to provide efficient and reliable operation for commercial and extractive industries.

Manufactured with state of the art laser cutting, molding, latheing and welding equipment to ensure quality construction. Our quality control and testing ensure trouble free operation. Our CBA Centrifugal Blowers have industry leading design features using the latest technologies available.

FUTY Series

- Direct drive, carbon steel and stainless steel are available.
- Designed for large air volume and medium pressure applications

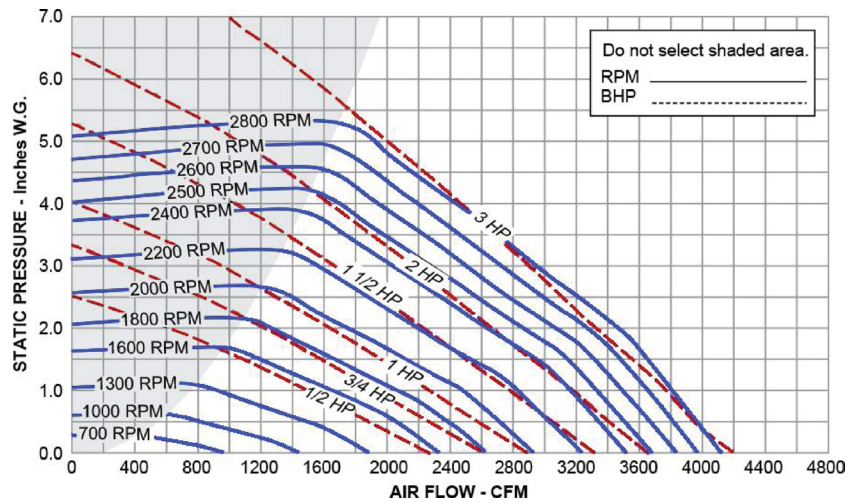
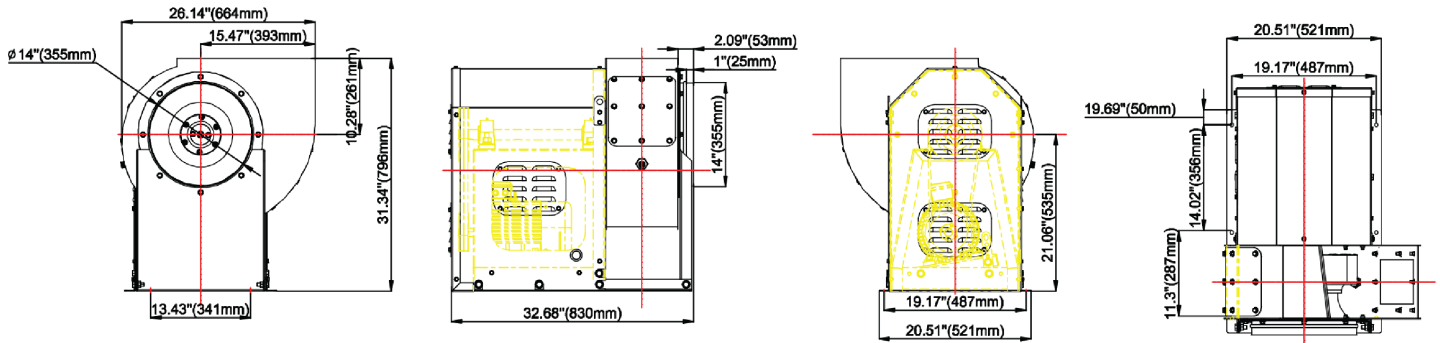
Model	Power	AC motor 1Ø	AC motor 3Ø	Fan Speed
FUTY-10-XX	0.75HP	220V/60Hz	460V/60Hz	1300 RPM
	0.75HP	120V/60Hz	230V/60Hz	
	1HP	220V/60Hz	460V/60Hz	1500 RPM
	1HP	120V/60Hz	230V/60Hz	
	1.5HP	220V/60Hz	460V/60Hz	2000 RPM
	1.5HP	120V/60Hz	230V/60Hz	
	2HP	220V/60Hz	460V/60Hz	2300 RPM
	2HP	120V/60Hz	230V/60Hz	
	3HP		460V/60Hz	2800RPM
	3HP		230V/60Hz	

CFM	Static Pressure in Inches W.C.															
	0.500		1.000		1.500		2.000		2.500		3.000		3.500		4.000	
	RPM		RPM		RPM		RPM		RPM		RPM		RPM		RPM	
	Sone	BHP	Sone	BHP	Sone	BHP	Sone	BHP	Sone	BHP	Sone	BHP	Sone	BHP	Sone	BHP
550	626															
	4.2	0.08														
1050	808		1049		1265		1462		1649		1833					
	6.2	0.16	9.1	0.29	12.1	0.45	15.2	0.63	18.3	0.85	21	1.08				
1575	1074		1272		1444		1602		1753		1897		2036			
	9.6	0.33	12.2	0.5	14.9	0.68	17.6	0.87	20	1.08	23	1.32	25	1.57		
2100	1362		1540		1689		1827		1955		2076		2223		2386	
	15	0.59	16.6	0.82	19	1.05	21	1.28	24	1.52	26	1.77	19.8	1.9	21	2.03
2625	1661		1823		1960		2086		2230		2340		2446		2548	
	20	0.99	20	1.29	21	1.57	21	1.86	22	1.81	22	2.34	23	2.34	24	2.62
3240	2145		2247		2345		2440		2534		2622					
	23	1.44	24	1.72	25	1.99	25	2.26	26	2.54	27	2.83				
3800	2529		2617		2723											
	29	2.19	30	2.53	31	2.76										
4450	2788		2850													
	32	2.89	33	3												



Submittal Data Sheet: FUTY-08 Models

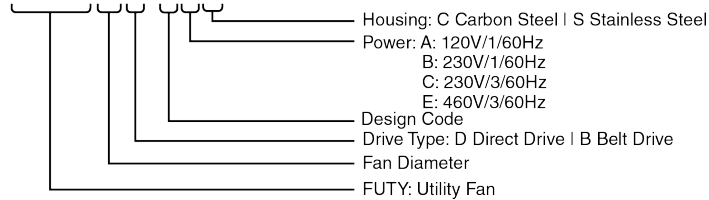
UTILITY FANS



YMGI Model Nomenclature

Model Number:

FUTY-14D-OBC



Applications:

- Stairwell Pressurization
- Explosive gases emissions
- Restaurant Grease Exhaust
- Mechanical equipment supporting

YMGI Group

601 Arrow Ln, O'Fallon, Missouri 63366
 Phone: 1-866-833-3138
 Fax: 1-866-377-3355
 ymgigroup.com
 sales@ymgigroup.com

Sales Representative or Distributor: