



Submittal Data Sheet: FUTY-32 Models

UTILITY FAN



FUTY-32 Models

Utility Fan Features:

- Concentric mount bearings with industry's highest cataloged bearing life
- Fully molded and fully welded construction
- Corrosion resistant, electrostatically applied and baked powder coatings
- Belt Drive and Direct Drive configurations
- A variety of available motor brackets
- ISO 9001:2000 controllable standard

Job Name:		Tag #:	
Location		Date:	
Engineer:		Approval:	
Submitted to:		Unit #:	
Submitted by:		Drawing #:	
Reference		PO #:	

YMG CBA Centrifugal Blowers are designed to provide efficient and reliable operation for commercial and extractive industries.

Manufactured with state of the art laser cutting, molding, latheing and welding equipment to ensure quality construction. Our quality control and testing ensure trouble free operation. Our CBA Centrifugal Blowers have industry leading design features using the latest technologies available.

FUTY Series

- Direct drive, carbon steel and stainless steel are available.
- Designed for large air volume and medium pressure applications

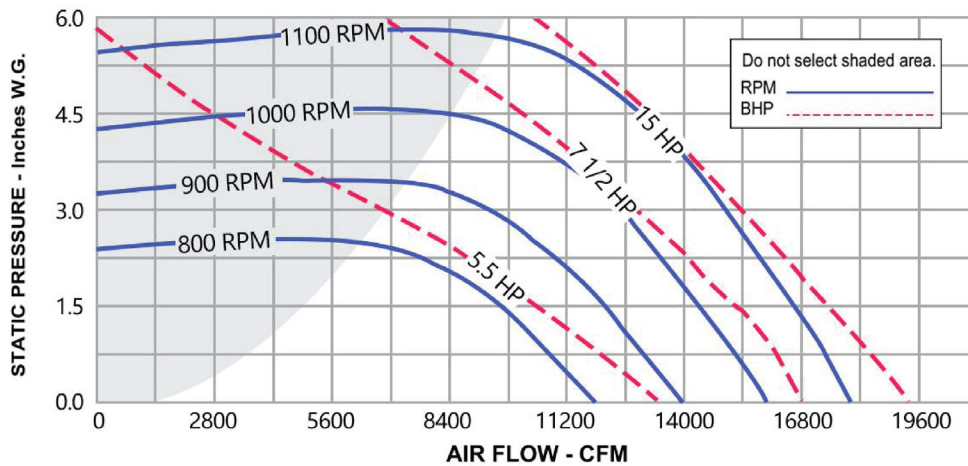
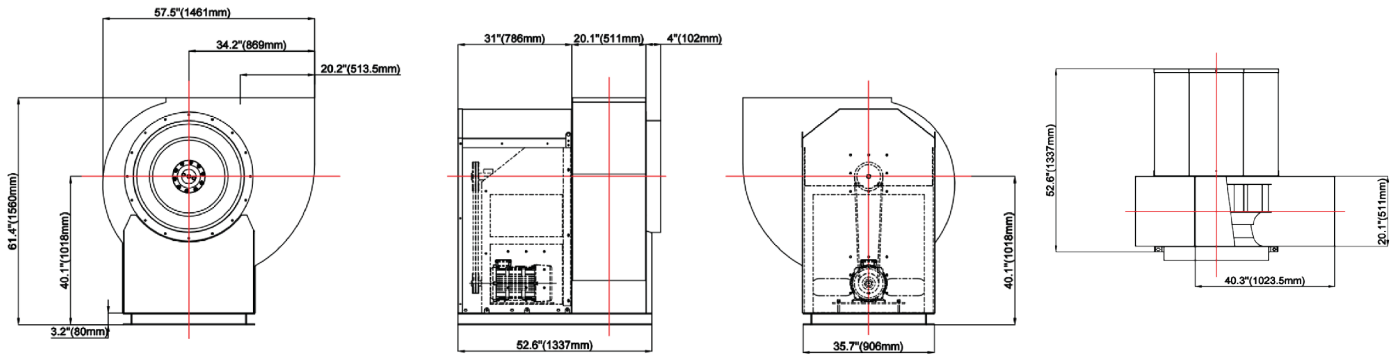
Model	Power	AC motor 1Ø	AC motor 3Ø	Fan Speed
FUTY-32-XX	5.5HP	None	460V/60Hz	700 RPM
	5.5HP		230V/60Hz	
	7.5HP		460V/60Hz	850 RPM
	7.5HP		230V/60Hz	
	10HP		460V/60Hz	1000 RPM
	10HP		230V/60Hz	

CFM	Static Pressure in Inches W.C.															
	0.500		0.750		1.000		1.500		2.000		2.500		3.000		3.500	
	RPM		RPM		RPM		RPM		RPM		RPM		RPM		RPM	
	Sone	BHP	Sone	BHP	Sone	BHP	Sone	BHP	Sone	BHP	Sone	BHP	Sone	BHP	Sone	BHP
6100	450		487		533		587		621		655					
		3.4		3.9		4.1		4.6		5		5.6				
7700	509		599		633		655		687		712		777		844	
		4.1		4.54		5.1		5.2		5.7		6.1		7.2		8.6
9900	635		671		684		712		743		791		854		911	
		4.98		5.3		5.6		6.2		6.6		7.5		8.2		9.2
11110	700		702		767		798		832		888		932			
		5.7		5.9		7.1		7.2		8.4		8.9		9.4		
12800	742		801		834		895		932		986					
		6.2		7.6		7.3		9.2		9.5		10.2				
14250	833		888		945		991		1040							
		7.7		8.9		9.6		10.2		10.7						
16000	918		999		1020											
		9.12		9.9		10.7										
18000	1100		1060													
		10.9		11.2												



Submittal Data Sheet: FUTY-32 Models

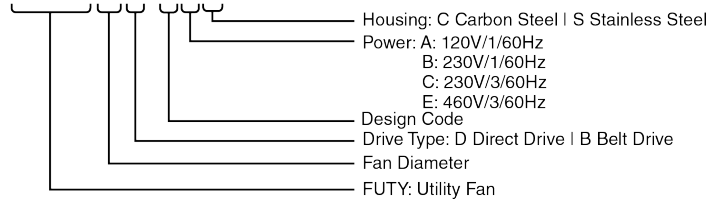
UTILITY FANS



YMGI Model Nomenclature

Model Number:

FUTY-14D-OBC



Applications:

- Stairwell Pressurization
- Explosive gases emissions
- Restaurant Grease Exhaust
- Mechanical equipment supporting

YMGI Group

601 Arrow Ln, O'Fallon, Missouri 63366
 Phone: 1-866-833-3138
 Fax: 1-866-377-3355
 ymgigroup.com
 sales@ymgigroup.com

Sales Representative or Distributor: