



YMGI: Your Modern Green Idea

## INSTALLATION MANUAL

### Optional Voltage Booster Installation Instructions for (56) Series G1 1198YM Outdoor Units

## AC+DC ON-GRID (56)

#### Compatible with

#### ODU Model Numbers:

WMMS-09CS-V2B(56)

WMMS-12CS-V2B(56)

WMMS-18CS-V2B(56)

WMMS-24CS-V2B(56)

WMMS-30CS-V2B(56)

WMMS-36CS-V2B(56)



Thank you for choosing this YMGI product. Please read the owner's manual carefully before installation and operation and retain for your records and future reference. If you need a replacement copy, please contact your local agent or visit [www.ymgigroup.com](http://www.ymgigroup.com) to download a current electronic version.

### NOTICE

This product is designed and manufactured to be free from any defects in material and workmanship during normal use and maintenance. Installation, operation, maintenance and repair must follow all standards and professional practices for regular cooling and heating equipment, such as NEC, State, or Local Codes and all related documents/manuals provided by YMGI. Failure to follow and adhere to all codes and documentation can cause damage to equipment, property even personal injury.

**Installer:** Currently licensed/certified HVAC technicians only. Must Read the manual and all provided documents prior to installation.

Complete and fill out all required information on the warranty registration card.

**User:** Retain this manual and all supplied documents for your records and future reference.

**Service:** Use this manual for information concerning servicing and maintenance of this product.

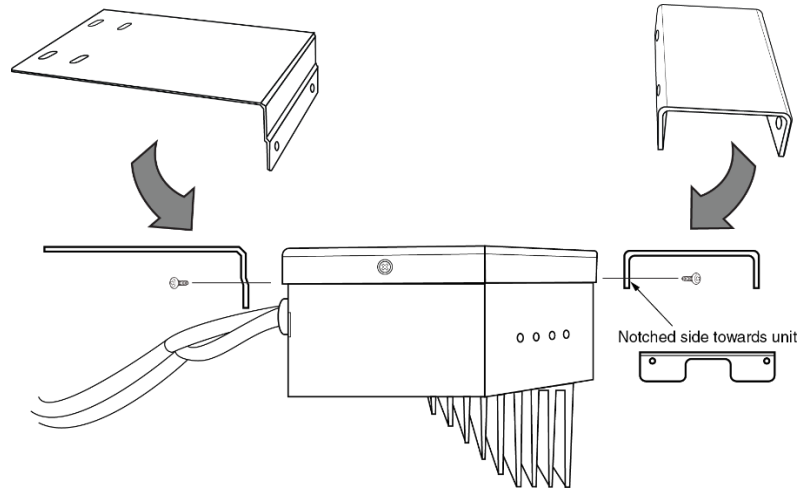
### SAFETY WARNING

Only qualified technicians should install and service this equipment. The installation, startup, operation and servicing of this equipment can be hazardous and requires a HVAC professional who has been trained, licensed and certified. Installations, adjustments or any equipment alterations done by an unqualified person could result in serious injury and even death. When working on the equipment, observe all precautions in the provided documents, on the tags, stickers, and labels that are attached to or placed on the equipment.

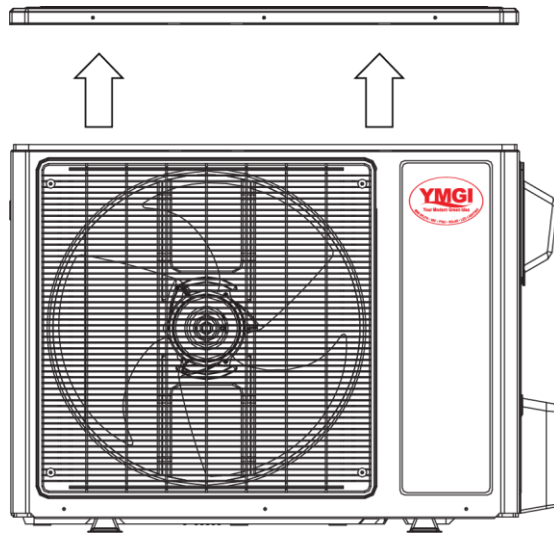
## Optional Voltage Booster Installation for (56) Series G1 1198YM Outdoor Units

1. Shut power off to the unit.

2. Attach the metal flanges to the outside of the Voltage Booster using provided screws.

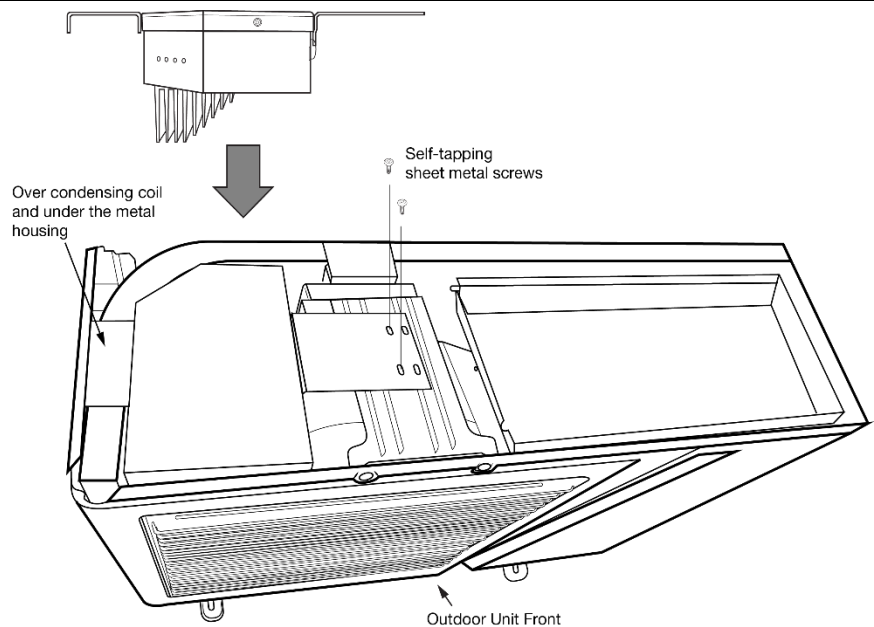


3. Remove the top of the Outdoor Unit.

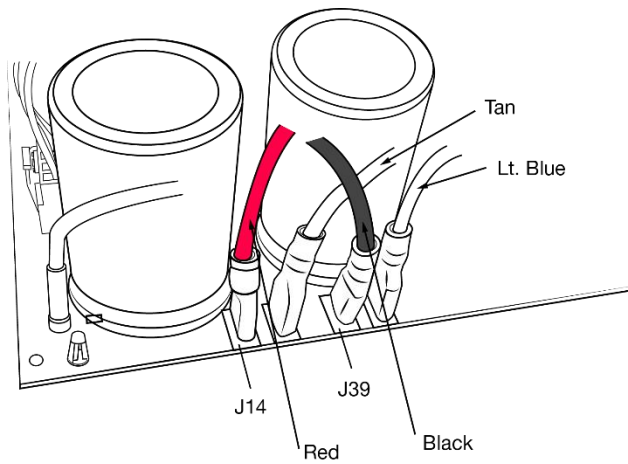


4. Install the Voltage Booster into the unit.

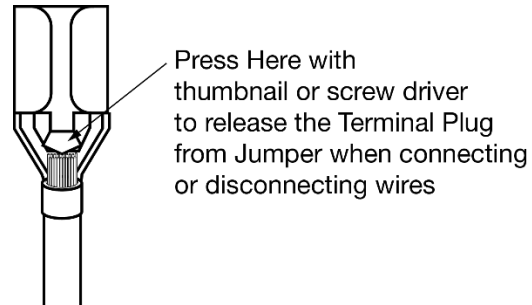
Make sure the radiator on the Voltage Booster is positioned to allow the fan to spin freely.



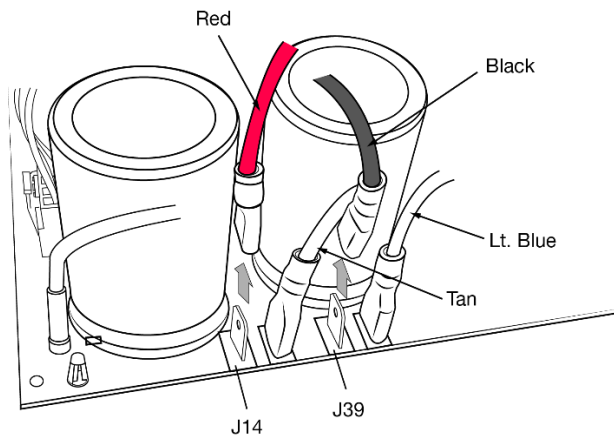
5. Locate the Red and Black wires on the Main Board at terminals J14 and J39.



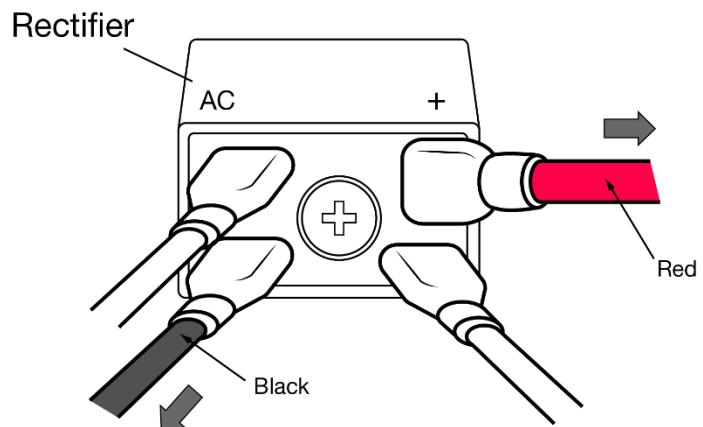
6. To remove Terminal Plugs, and prevent damage to the board, make sure to press the release lever. The Terminal Plug should slide off with minimal force. Do not yank.



7. Slide the Terminal Plug off of the terminals.

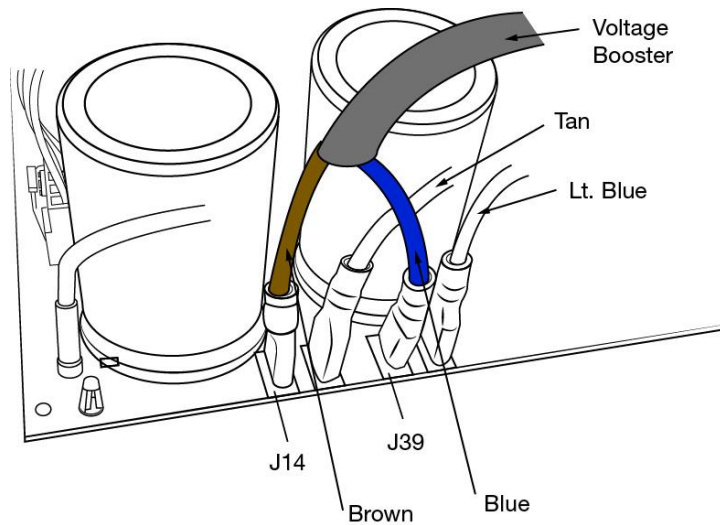


8. Locate the Rectifier on the rear wall of the unit. Remove the Red and Black wires. These plugs are on the opposite ends of the wires that were plugged in to Terminal J14, and J39. Once unplugged from the Rectifier, they can be removed.



9. Plug the Brown wire from the Voltage Booster unit into terminal J14.

Plug the Blue wire from the Voltage Booster unit into terminal J39.

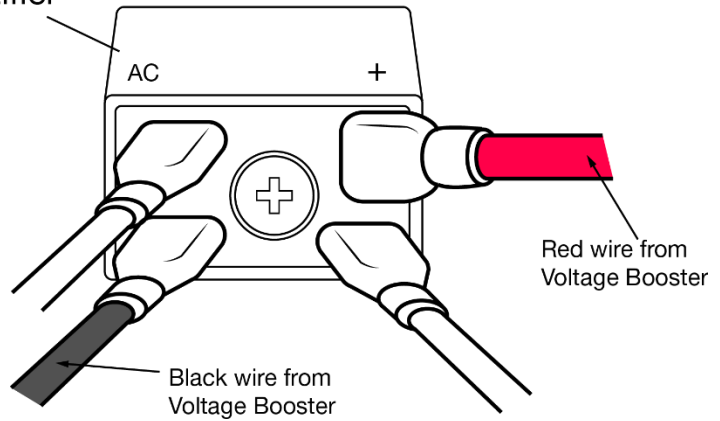


10. Locate the Red Wire and Black wire from the wire bundle attached to the Voltage Booster

Plug the Red wire into the terminal on the right side at the top.

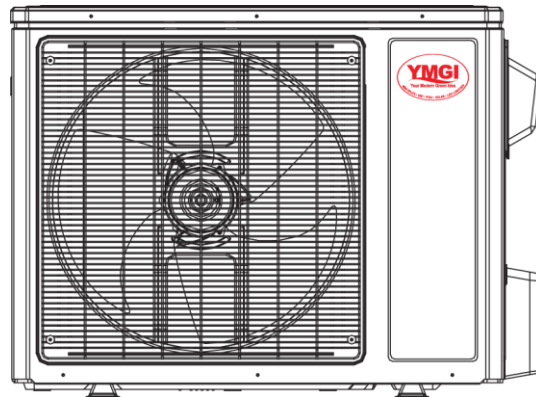
Plug the Black wire into the terminal on the left side at the bottom.

Rectifier



11. Arrange the wires so that you can close the unit, and it does not interfere with unit operation.

Replace the top on the Outdoor Unit, and restore power.



YMGI Group  
 601 Arrow Ln, O'Fallon, MO 63366  
[www.YmgiGroup.com](http://www.YmgiGroup.com)  
 Tel: 866-833-3138 • Fax: 866-377-3355  
 Email: [info@YmgiGroup.com](mailto:info@YmgiGroup.com)

Unit appearance and specifications are subject to change without notice.  
 Copyright ©2021 YMGI Group  
 Version G1 1198YM 2021