



Submittal Data Sheet: (59)4-CR-24V3444G

UNIT



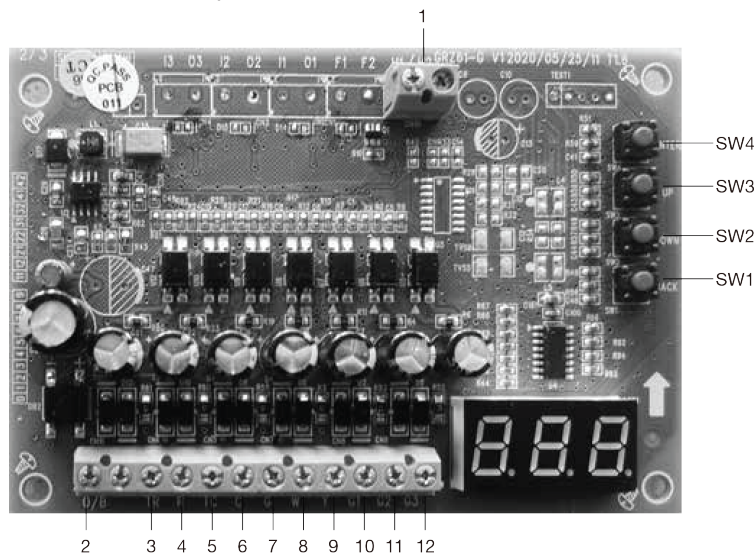
(59)4-CR-24V3444G

Job Name:		Tag #:	
Location		Date:	
General Contractor:		Mechanical Contractor:	
Sales Representative:		Sales Engineer:	
Submitted by:		Drawing #:	
Reference		PO #:	

(59)4-CR-24V3444G

The CR-24V3444G 24 volt adaptor is allows YMGI mini split indoor units to translate the control signal of 24VAC HVAC Thermostat (such as Nest) into a control signal for a YMGI mini split indoor unit. The adapter can be used with EC ceiling cassette units, EF recessed fan coil units, EU floor ceiling units, and more.

When installing, the device type should be set as “24 Volt Adaptor”.



Function instruction interface of main board

No.	Interface	Instruction
1	H1, H2	RS485 communication interface, connecting the indoor unit
2	O/B	4-way valve for heat pumps
3	TR	Supply power for adapter (24VAC)
4	R	Supply power for thermostat (24VAC)
5	TC	Supply power for adapter (Common)
6	C	Supply power for thermostat ((Common))
7	G	Fan/ indoor fan
8	W	Heating/E-heater
9	Y	Cooling/compressor
10	G1	Low fan speed
11	G2	Medium fan speed
12	G3	High fan speed

Function instruction for buttons

No	Buttons	Button function
SW1	BACK	Return after parameter setting
SW2	DOWN	Decrease parameter setting
SW3	UP	Increase parameter setting
SW4	ENTER	Select parameter setting and/or confirm parameter setting value

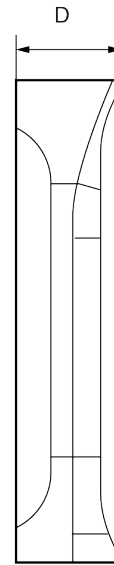
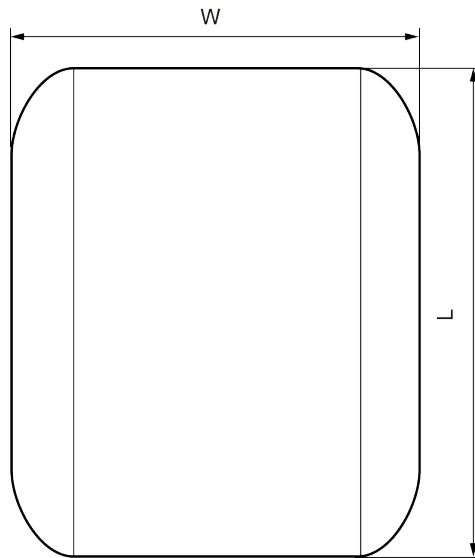
Status instruction of LED indicator on main board

D13	When there is a signal for detection of fire alarm, it is on. When signal for fire alarm disappears, it is off.
D14	When there is a signal for dry contact 1, it is on. When the signal of dry contact disappears, it is off.
D15	When there is a signal for dry contact 2, it is on. When the signal of dry contact 2 disappears, it is off.
D16	When there is a signal for dry contact 3, it is on. When the signal of dry contact 3 stops, it is off.

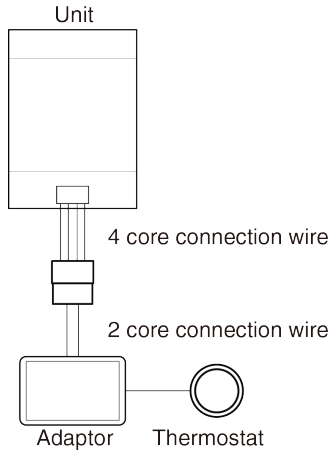


UNIT

Dimensions (inches)	
W	5 5/16"
L	6 1/2"
D	1 7/16"

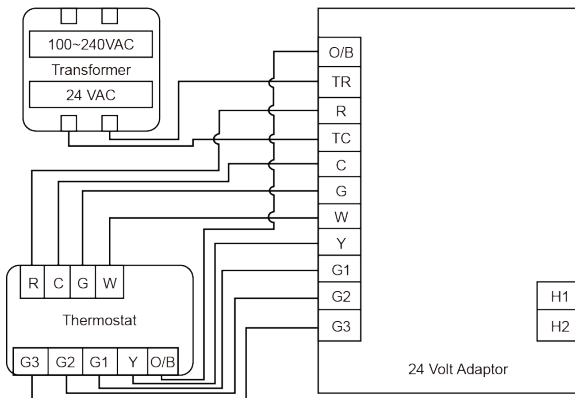


Adapter and Indoor Unit Connection

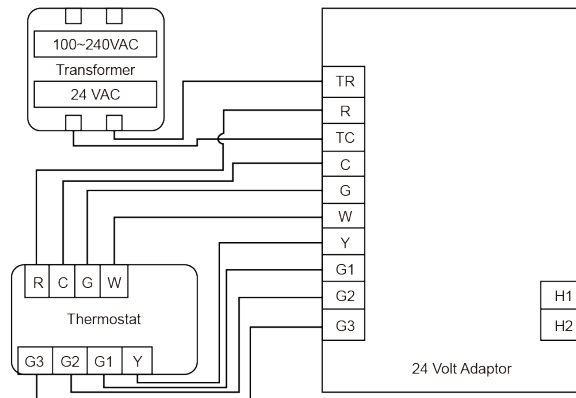


Adaptor and Thermostat Connection

1. Thermostat is the control command of load



2. Thermostat is the control command for operation mode



YMGI Group
 601 Arrow Ln, O'Fallon, Missouri 63366
 Phone: 1-866-833-3138
 Fax: 1-866-377-3355
 ymgigroup.com

Sales Representative or Distributor: