



## Submittal Data Sheet: PTHP-12K-04B(43)

### UNIT



**PTHP-12K-04B(43)**

### ACCESSORIES

(Each Sold Separately)

- WALL SLEEVE
- STAMPED GRILLE
- ARCHITECTURAL GRILLE
- SUB BASE
- THERMOSTAT
- WIRELESS CONTROL
- MOTION CONTROL

Dimensions & Weight Indoor Unit		
Model	PTHP-12K-04B(43)	
Dimension (W x H x D)	In.	41.97" x 16.06" x 21.06"
Packing (W x H x D)	In.	45.28" x 18.9" x 24.8"
Net/Gross weight	Lbs.	102.4 / 113.4 LBS
Charged refrigerant type	Oz.	26.46 OZs

Job Name:		Tag #:	
Location		Date:	
Engineer:		Approval:	
Submitted to:		Unit #:	
Submitted by:		Drawing #:	
Reference		PO #:	

The HARMONY BASIC features touch pad controls, a digital display, that provides precise climate control, so your guests can customize their comfort level. Two efficient direct-drive motors power an outdoor condensing cool fan, and a 3 speed cross-flow random pitch indoor blower engineered to deliver cooling and heating evenly throughout any room.

Model		PTHP-12K-04B(43)	
Power supply		V/Ph/Hz	208-230/1/60
Cooling (AC)	Capacity	Btu/h	12000 / 11800
	Input	W	1130 / 1110
	EER	Btu/h.W	10.6 / 10.6
Heating (Heat Pump)	Capacity	Btu/h	10800 / 10500
	Input	W	960 / 930
	COP	Btu/h.W	3.3 / 3.3
Electric heating	Capacity	Btu/h	8300 / 10200
	Power input	W	2450 / 3000
	Rated current	A	12 / 13.2
Cooling power factor			0.956 / 0.963
Heating power factor			0.936 / 0.940
Max. input consumption		W	1460
Max. current		A	7.3
Moisture Removal		Pints/hr	2.18
Compressor	Model		ASM113N1UDZ
	Brand - Type		GMCC - Rotary
	Capacity	Btu/h	11500/11450±5%
	Input	W	1090/1075 ±5%
	Rated Current (RLA)	A	4.9/5.3 ±5%
	Locked Rotor Amp (LRA)	A	28.5±10%
	Thermal protector	°C	135±5 (Built-in)
	Capacitor	uF	40
	Refrigerant oil	ml	320
Indoor Fan Motor	Model		YDK-30-4P2
	Type		Single-axis structure motor
	Brand		KB/CG
	Insulation class		A
	Safe class		IP20
	Input / Output	W	64 / 30
	Rated current	A	0.29
	Capacitor	uF	1.5
	Speed (Hi / Lo)	rpm	1050 / 850
Indoor Fan Wheel	Material / Type		Aluminum Alloy / Cross-flow fan
	Diameter x Height	Inch	4.724" x 27.795"
	Coil length x height	mm	704 x 252
Indoor Coil	Number of circuits		2
Indoor Air Flow (Hi/Lo)		CFM	424/365 CFM
Indoor Sound Level (Sound Pressure Level)		dB(A)	49/41
Outdoor Fan Motor	Brand / Model		GI / YDK-55-4P2-4
	Insulation class		A
	Safe class		IPX4
	Input / Output	W	104 / 55
	Rated current	A	0.46
	Capacitor	uF	3
Outdoor Fan	Speed	r/min	1600
	Material / Type		ABS+G15 / Axial-flow
	Diameter x Height	mm	348 x 104
Outdoor Coil	Coil length x height	mm	676 x 348
	Number of circuits		2
Outdoor air flow		CFM	706.8
Outdoor sound level (sound pressure level)		dB(A)	66
Metering device			Capillary
Design pressure		PSIG	450/232 PSIG
LCDI Cord Plug		Built-in	LCDI-20A
Controller			Touch Pad / Optional: Remote
Indoor controllable temperature ranges		°F	61-90 °F
Outdoor ambient temperature ranges		°F	Back-up Elec. Heater ≤ 17°F ≤HP 41°F ≤AC≤ 115°F



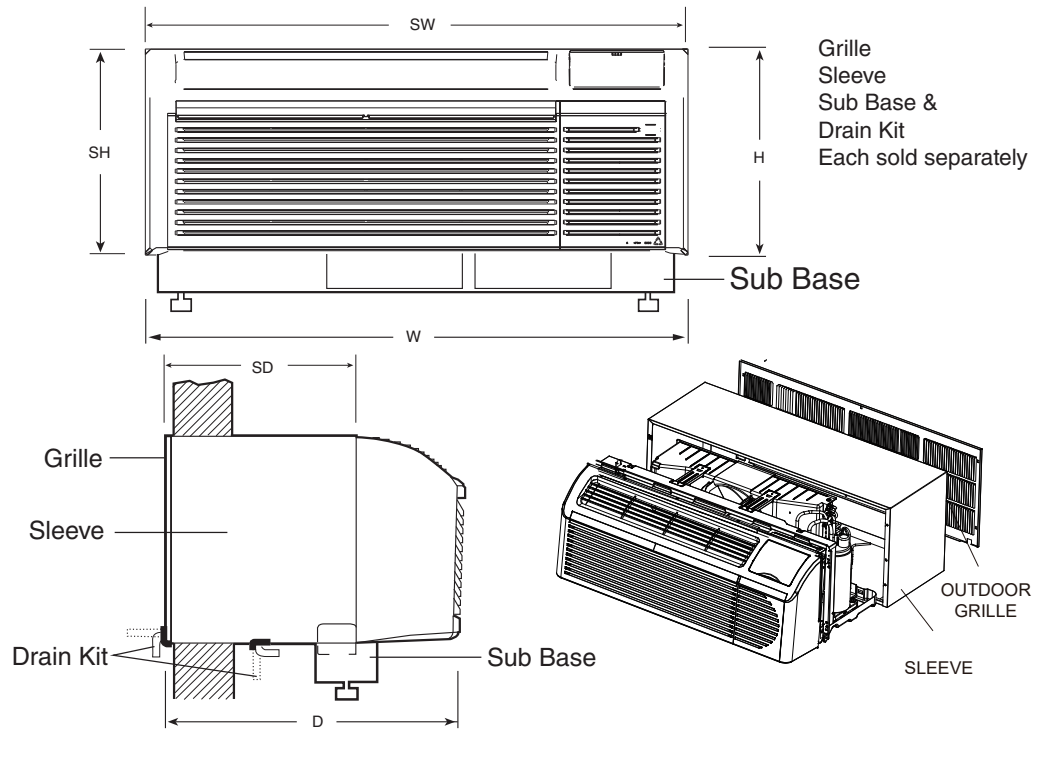
# Submittal Data Sheet: PTHP-12K-04B(43)

## UNIT

Dimensions (inches)	
W	41.97"
H	16.06"
D	21.06"

## SLEEVE

Dimensions (inches)	
SW	42"
SH	16"
SD	13 3/4"



## FEATURES

- 208-230 / 1 / 60 power input
- 20 Amp LCDI Cord
- Quiet and efficient heating & cooling.
- Tactile Display shows set temperature & operating modes.
- Two motors quietly and powerfully distribute air evenly.
- Fresh Air damper allows selection of air source
- Dip Switches for easy configuration
- Preheating coil prevents cold air blowing at start up.
- Wide working ambient temperature ranges
- Fan blade design aides in evaporating condensate
- Stylish Design
- Impact resistant ABS cover
- Steel Frame with Powder Coated Components
- Fits a Standard PTAC Opening
- Built to UL/CSA/AHRI standards
- Easy installation and maintenance



**Touch Pad Control with Digital Display**



**Main Control Board**



**Washable and Reusable Particulate Air Filter**



**Condensate Anti-freeze Drainage Valve**



**Energy Management & Thermostat Connections**

## YMGI Group

601 Arrow Ln, O'Fallon, Missouri 63366  
 Phone: 1-866-833-3138  
 Fax: 1-866-377-3355  
 ymgigroup.com

Sales Representative or Distributor: