



YMGI, Engineered Comfort Products for A Sustainable
and Efficient Green World!

INSTALLATION INSTRUCTIONS & USER'S MANUAL

42"×16" PTAC/PTHP Wall Sleeve



Thank you for choosing this YMGI product. Please read the owner's manual carefully before installation and operation and retain for your records and future reference. If you need a replacement copy, please contact your local agent or visit www.ymgigroup.com to download a current electronic version.

NOTICE

This product is designed and manufactured to be free from any defects in material and workmanship during normal use and maintenance. Installation, operation, maintenance and repair must follow all standards and professional practices for regular cooling and heating equipment, such as NEC, State, or Local Codes and all related documents/manuals provided by YMGI. Failure to follow and adhere to all codes and documentation can cause damage to equipment, property, or personal injury.

Installer: Currently licensed/certified HVAC technicians only. Must Read the manual and all provided documents prior to installation. Complete and fill out all required information on the warranty registration card.

User: Retain this manual and all supplied documents for your records and future reference.

Service: Use this manual for information concerning servicing and maintenance of this product.

SAFETY WARNING

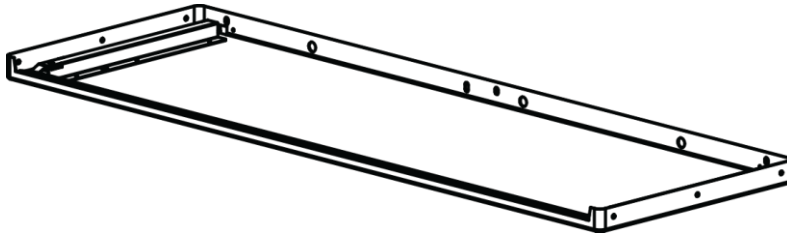
For your safety, only trained and qualified personnel should install the electrical components, which could be hazardous. When installing, you should carefully observe the precautions provided in the instructions, tags and labels, etc.

Follow all safety codes. Wear safety glasses, protective clothing and gloves.

Read the instructions and follow all **warnings**. For special requirements, please consult local building codes and National Electrical Code.

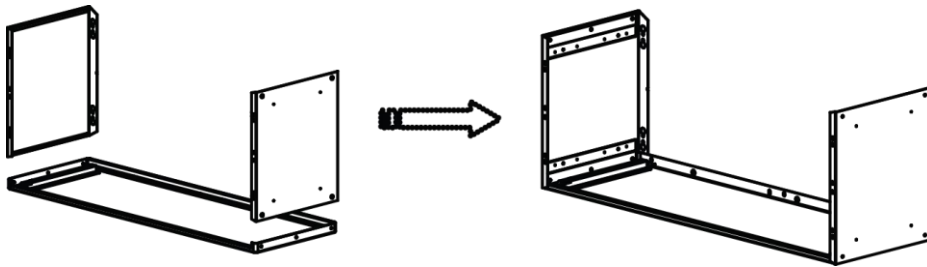


ASSEMBLY OF THE WALL SLEEVE



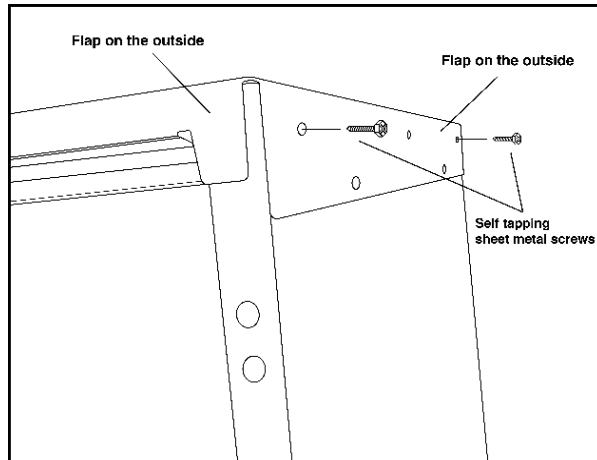
Step One:

Place base plate on a level surface.



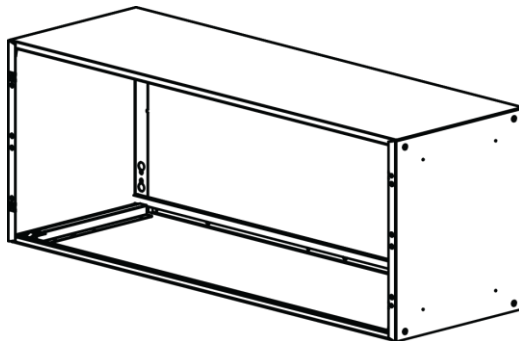
Step Two:

Mount the two side plates on the baseplate and secure with screws.



Step Three:

Mount top plate and secure with screws.



Wall Sleeve is now ready for installation

SLEEVE INSTALLATION

Wall sleeve location

When making the wall opening for the unit, please observe the following requirements:

- A. The air inlet and outlet should be unblocked and be able to deliver air to every corner of the room
- B. Install the unit in places that are away from heat sources or flammable gas sources
- C. Do not install the unit in places that are subject to strong dust
- D. Do not install the unit in places the operational noise and exhausted air might trouble your neighbor
- E. There should be sufficient space margins around the unit to facilitate maintenance and repairs (refer to Fig. 3 and Fig. 4)

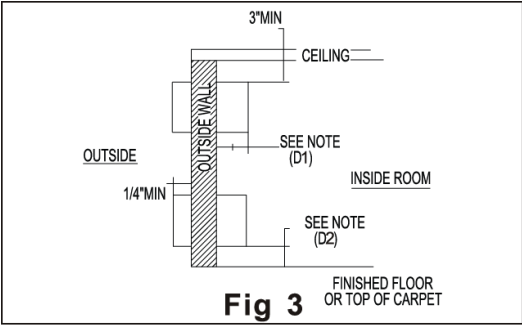


Fig 3

Dimensions	Recommended Installation Clearance
D1	Projection of case into room 1/2" minimum, up to 1 3/4" maximum without use of electrical sub-base. Note: 2 3/8" minimum when sub-base is used.
D2	Height above finished floor or top of carpet 1/2" minimum. 2" is recommended without a sub-base. 3" minimum with a sub-base.

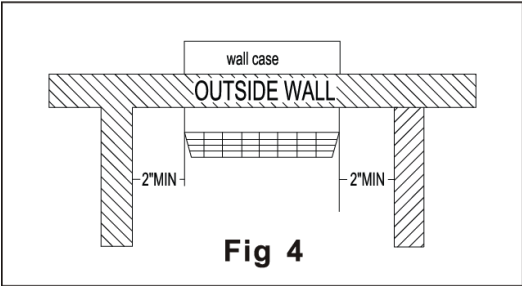


Fig 4

Wall Preparation

The sleeve should be installed during construction and lintels should be used to support the block above the wall sleeve. The sleeve cannot support the load of bricks or blocks.

For existing construction, a wall opening must be created. The proper dimensions are necessary to avoid the use of fillers or additional framing. The sleeve is modular in height and width (refer to Fig. 5 and Chart 2)

Height:

- Fits 2 courses of concrete blocks
- Fits 6 courses of standard bricks
- Fits 5 courses of Jumbo bricks

Width:

Fit's approximately 3 stud spaces.

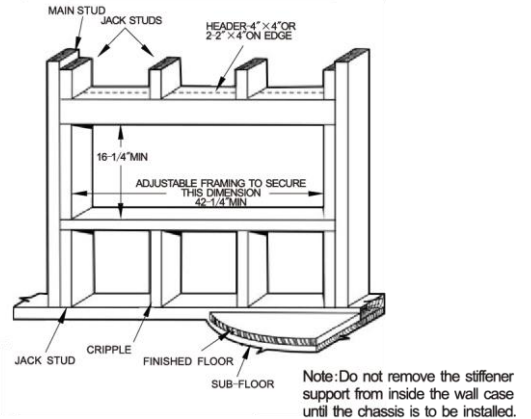


Fig 5

Note: Do not remove the stiffener support from inside the wall case until the chassis is to be installed.

	Minimum finished opening dimensions		Sleeve Dimensions		
	height	width	height	width	depth
No. 1	16 1/4"	42 1/2"	16"	16"	13 3/4" (16" 18" 24")
No. 2	16 1/4"	42 1/4"			

The sleeve must be installed properly in order for condensate water to drain properly inside the unit:

- Level horizontally
- A slight downward pitch from the indoor side to the outdoor side as shown in Fig. 6
- Fastened to the wall flange as shown in Fig. 7.

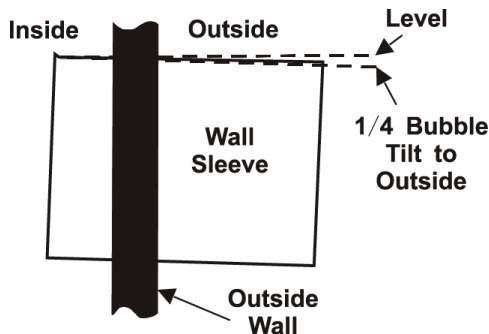


Fig 6 Proper Sleeve Tilt

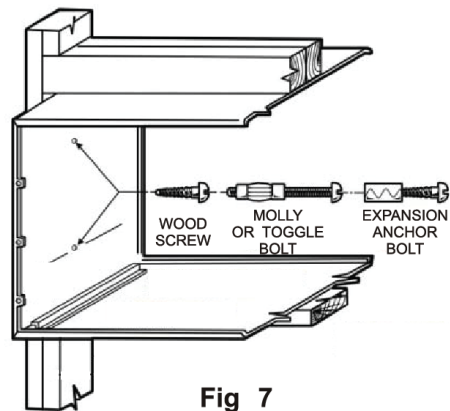


Fig 7



YMGI is dedicated to designing, manufacturing and distributing the highest quality, energy saving and environmentally friendly air conditioner and heat pump products, while providing the best service and support to all of our customers. Our mission is to help build a sustainable, efficient and green world.

YMGI Symphony-Ductless & Ducted Heat Pump & Heat Recovery:

- **Symphony SOLAR DC Inverter**
(56) Single PV, (79) Single PH
- **Symphony SOLO DC Inverter**
(57)2,3 Single Zone 16 SEER, 09-24K Btu/h
(58)2-Single Zone 16-22 SEER, 09-36K Btu/h
(58)4, (78)1-Single Zone 18-23 SEER, 09-36K Btu/h
- **Symphony CHOIR DC Inverter**
(59)2 DC Inverter Multiple Zone 16 SEER, 2x09K to 5x12K Btu/h
(59)2S-DC Inverter Multiple Zone 16 SEER 6x09K to 9x09K Btu/h
(59)4-DC Inverter Multiple Zone 21 SEER 5x09K to 5x12K Btu/h
- **Symphony VRF - DC Inverter HP or Heat Recovery up to 64 zones.**
- **Symphony HARMONY-Packaged Self-Contained**
42"x16" PTAC/PTHP Electric Heater or Hot Water Coil, and 26" TTWA
- **Symphony CONDUCTOR-Split Type Condensing Units**
Side Discharge VRUO & VPAK

YMGI Group
LOS ANGELES • ST. LOUIS • NEW YORK
 601 Arrow Ln, O'Fallon, MO 63366
www.ymgigroup.com
 Tel: 866-833-3138 • Fax: 866-377-3355
 Email: info@ymgigroup.com

Unit appearance and specifications are subject to change without notice.
 Copyright ©2020 YMGI Group

