



Submittal Data Sheet: WMMS-18EF-M2B(59)4

INDOOR UNIT



WMMS-18EF-M2B(59)4



| | | | |
|---------------|--|------------|--|
| Job Name: | | Tag #: | |
| Location | | Date: | |
| Engineer: | | Approval: | |
| Submitted to: | | Unit #: | |
| Submitted by: | | Drawing #: | |
| Reference | | PO #: | |

Recessed Ceiling Mount EF Unit

The EF indoor unit is the perfect solution for rooms where surface mounting is not an option. 09K, 12K, 18K, and 24K are available. Individual or centralized wall mounted controllers makes perfect climate control just a finger-touch away. EF units are efficient and quiet, and normally are installed above walk-in closets, foyers, or hallways.

ACCESSORIES

- THERMOSTAT
- COPPER/WIRE/ACC.SET
- BRIDGE CONTROLLER

| Items | Unit / Conditions | WMMS-18EF-M2B(59)4 | |
|-------------------------|---------------------------------------|--------------------------|--------------|
| Power Supply | Rated Voltage | 208/230 | |
| | Rated Frequency | 60 | |
| | Phases | 1 | |
| Cooling Capacity | Btu/h | 18000 | |
| Heating Capacity | Btu/h | 19000 | |
| Cooling Power Input | KW | 0.16 | |
| Heating Power Input | KW | 0.16 | |
| Cooling Current Input | A | 0.7 | |
| Heating Current Input | A | 0.7 | |
| Air flow volume | CFM | 589/412/312/289 | |
| Dehumidifying Volume | Pint/h | 3.8 | |
| Fan Type | | Centrifugal | |
| Fan Quantity | | 2 | |
| Fan Diameter-height | mm | 202-107 | |
| Fan Motor Speed | rpm | 990/700/530/490 | |
| Fan Motor Power Output | W | 200 | |
| Fan Motor Power Input | W | / | |
| Motor Full Load mp(FLA) | A | / | |
| Fan Motor Capacitor | µF | / | |
| Evaporator | Evaporator Material | Copper tube-Aluminum fin | |
| | Evaporator Pipe Diameter | mm | Ø7.94 |
| | Evaporator Number of Rows - Fin Pitch | mm | 3-1.8 |
| | Evaporator L x H x W | mm | 753x308x57.2 |
| Fuse Current | A | 5 | |
| Sound Pressure Level | dB (A) | 39/33/29/26 | |
| Sound Power Level | dB (A) | 49/43/39/36 | |

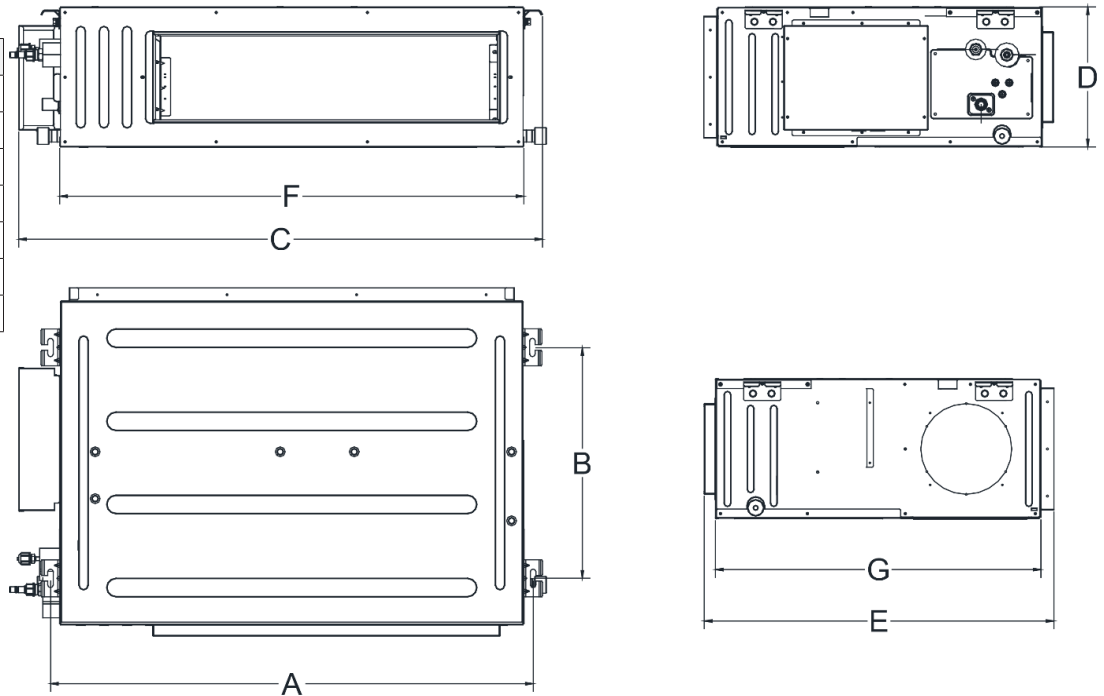
| | | |
|--|------|---------------------------------|
| Model Number | | WMMS-09EF-V2B(59)2 |
| Connection Pipes | | |
| Outer Diameter Liquid Pipe | inch | 3/8" |
| Outer Diameter Gas Pipe | inch | 5/8" |
| Outer Diameter Drain Hose Connection | mm | Ø25 |
| Dimensions & Weight Indoor Unit | | |
| Dimension of Unit W x H xD | inch | 44 1/2" x 29 11/16" x 11 13/16" |
| Dimension of Package W x H xD | inch | 47 7/16" x 32 1/64" x 14 11/64" |
| Net /Gross Weight | lb | 92.61 / 106.94 |



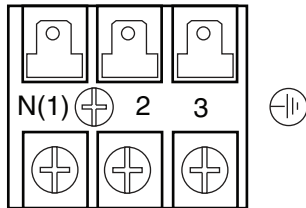
Submittal Data Sheet: WMMS-18EF-M2B(59)4

INDOOR UNIT

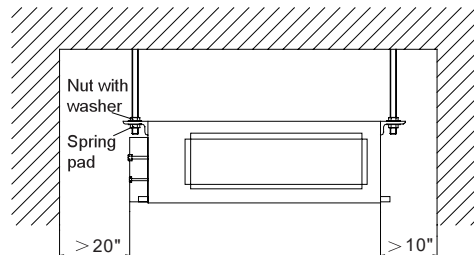
| Dimensions (inches) | |
|---------------------|----------|
| A | 40 15/16 |
| B | 19 11/16 |
| C | 44 1/2 |
| D | 11 13/16 |
| E | 29 11/16 |
| F | 39 3/8 |
| G | 27 9/16 |



TERMINAL BLOCK



CLEARANCES



SETTING OF EXTERNAL STATIC PRESSURE

| Applicable to: 18K/21K/24K | | | | | | | | |
|--------------------------------------|----|-------|-------|-------|-------|-------|-------|-------|
| Static pressure notch for indoor fan | 2 | 3 | 4 | 5 | 6 | 7 | 8 | 9 |
| External static pressure (Pa/wcin.) | 0 | 30 | 60 | 90 | 120 | 150 | 180 | 200 |
| External static pressure (wc) | 0" | 0.12" | 0.24" | 0.36" | 0.48" | 0.60" | 0.72" | 0.80" |

FEATURES

- 208-230/1/60 power input
- Quiet and efficient heating & cooling.
- Wall Mount Controller
- Compatible with "U-TOUCH" Remote Control.
- Standard flare brass connection valves
- Knock-outs for refrigerant pipes and wires
- Built to ETL/UL/CSA/ARI standards
- Easy installation and maintenance

YMGI Group
 601 Arrow Ln, O'Fallon, Missouri 63366
 Phone: 1-866-833-3138
 Fax: 1-866-377-3355
 ymgigroup.com

Sales Representative or Distributor: