



Submittal Data Sheet: WMMS-36CH-U2B(59)6

OUTDOOR UNIT

**HEATS DOWN
to -31°F**



WMMS-36CH-U2B(59)6
2 to 3 zones

ACCESSORIES

- MOUNTING BRACKETS
- FOOT RISERS
- COPPER/WIRE/ACC.SET
- LINESET COVERS
- WINTER WIND BAFFLE

Model	WMMS-36CH-U2B(59)6	
Dimension of Outline (WxDxH)	in.	39.49x16.81x31.10
Dimension of Carton Box (LxWxH)	in.	42.52x19.09x33.07
Dimension of Package (LxWxH)	in.	42.64x19.21x33.66
Net Weight	lbs.	174.17
Gross Weight	lbs.	185.19
Liquid Pipe Valve Sizes	in.	3 x 1/4"
Gas Pipe Valve Sizes	in.	3 x 3/8"
Connection Pipe Connection Method		Flare Connection
R410A Refrigerant Charge	ft	98.43
Not Additional Gas		
Connection Pipe Length	oz	95.2397
Connection Pipe Gas Additional Charge	g/m	20
Connection Pipe Max. Height Distance (indoor and outdoor)	ft	26.25
Max. equivalent connection pipe length (outdoor to last indoor)	ft	82.02

Job Name:		Tag #:	
Location		Date:	
General Contractor:		Mechanical Contractor:	
Sales Representative:		Sales Engineer:	
Submitted by:		Drawing #:	
Reference		PO #:	

The CHOIR (59)6 outdoor condensing unit can heat down to -22 °F at 80% efficiency, and has a 23 SEER rating. With a 36k Btu/h capacity it is capable of heating and cooling 2 to 3 zones. The (59)6 requires 208-230v, 1 phase, 60Hz power supply. Its compact design allows for installation on the ground, on a wall, or under a deck or a balcony.

Model	WMMS-36CH-U2B(59)6	
Cooling Capacity Min/Std/Max	Btu/h	7500 / 22000 / 30000
Heating Capacity Min/Std/Max	Btu/h	7500 / 26000 / 31000
EER	(Btu/h)/W	12.50
COP	(Btu/h)/W	12.50
SEER		23.00
HSPF		10.50
Air Flow Volume	CFM	2530.55
Sound Pressure Level	dB(A)	60
Sound Power Level	dB(A)	70
Rated Voltage / Frequency / Phase	V	208/230 / 60 / 1
Cross-sectional Area of Power Cable Conductor	mm2	5.3(AWG10)
Recommended Power Cable(Core)	N	3
Fuse Current	A	30
Circuit Breaker	A	40
Cooling Power Input / Heating Power Input	kW	1.76 / 2.09
Rated Power Input	kW	6.00
Cooling Current Input / Heating Current Input	A	7.65 / 9.10
Rated Current	A	26.00
Starting Current	A	5.00
Compressor Model1		QXFW-D318zX035
Compressor Type1		Inverter Rotary
Compressor Capacity	W	/
Compressor Power Input	W	/
Compressor Rated Load Amp (RLA)	A	17
Compressor Locked Rotor Amp (L.R.A)	A	/
Compressor Thermal Protector		/
Compressor Crankcase	W	40
Compressor Refrigerant Oil Type		FW68DA or equivalent
Compressor Refrigerant Oil Charge Volume	L	0.95
Chassis Electrical Heater Power Input	W	160
Chassis Electrical Heater Current	A	/
Fan Quantity / Type		1 / Axial-flow
Motor Model		LW92S-ZL
Motor Type		DC motor
Motor Insulation Class		B/E
Motor Safe Class		IPX4
Overload Protector		/
Motor Full Load Amp(FLA)	A	/
Fan Motor Drive Type		Direct drive
Fan Motor Speed	rpm	880
Fan Motor Power Output	W	90
Condenser Material		Aluminum Fin-copper Tube
Condenser Number of Rows x Pipe Diameter	in.	2 x 5/16"
Condenser Fin Type / Color		corrugated fin / Blue
Condenser Length(L) x Height(H) x Width(W)	in.	38 43/64 x 29 29/64" x 1 1/2"
Condenser Max. Allowable Pressure	MPa	10
Permissible Excessive Operating Pressure for the Discharge Side	MPa	4.3
Permissible Excessive Operating Pressure for the Suction Side	MPa	2.5
Maximum Allowable Pressure	MPa	4.3
High Presser Overload Protector	MPa	4.4
Low Presser Overload Protector	MPa	/
Cooling Operation Amb. Temperature Range	°F	-0.4~114.8
Heating Operation Amb. Temperature Range	°F	-31~75.2
Maximum drive IDU NO.	unit	3
Defrosting Method	--	Automatic Defrosting
Isolation		I
Moisture Protection	--	IPX4
Overload Protector		Current temperature control mechanical
Throttling Method		Electronic expansion valve
Low Ambient Cooling Function		YES
Defrosting Time Set Function		NO
Low Voltage Startup		YES
Compressor With Electric Heater		YES
Chassis With Electric Heater		YES



Submittal Data Sheet: WMMS-36CH-U2B(59)6

COOLING PERFORMANCE

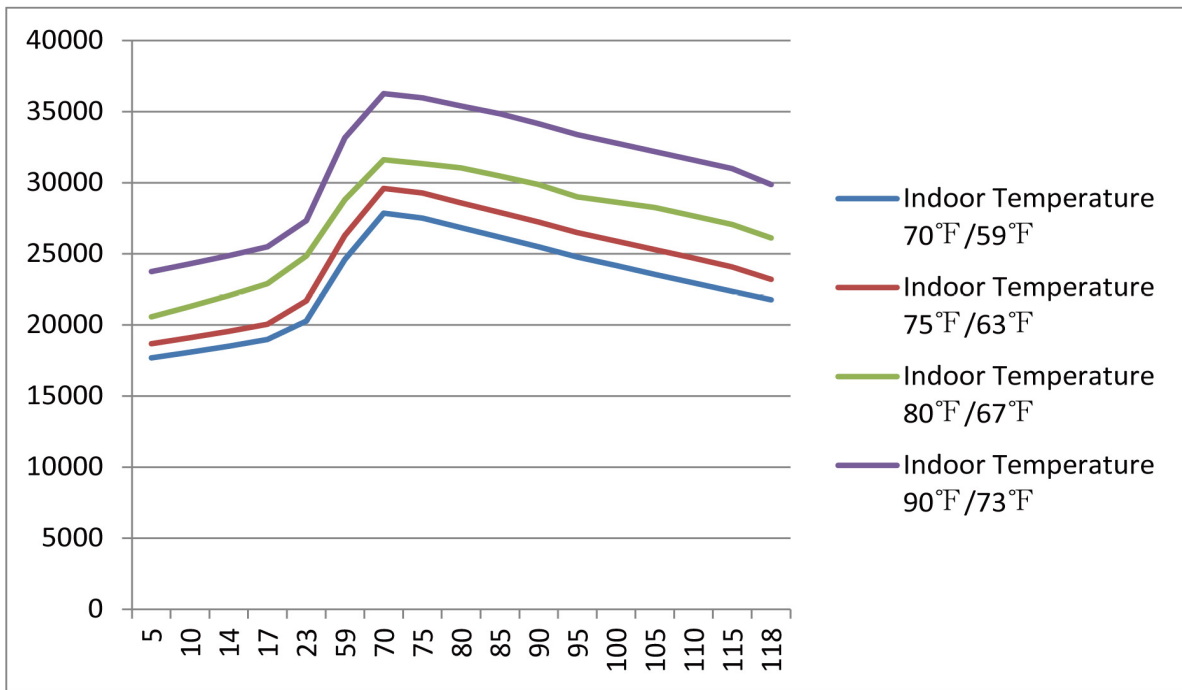
DB WB		Indoor Ambient Temperature											
		70°F (21°C) 59°F (15°C)			75°F (24°C) 63°F (17°C)			80°F (27°C) 67°F (19°C)			90°F (32°C) 73°F (23°C)		
		TC (BtuH)	SC (BtuH)	Input Power (watts)	TC (BtuH)	SC (BtuH)	Input Power (watts)	TC (BtuH)	SC (BtuH)	Input Power (watts)	TC (BtuH)	SC (BtuH)	Input Power (watts)
Outdoor Ambient Temperature (DB)	5 (-15°C)	17,664	13,852	1368	18,674	14,631	1409	20,564	16,135	1504	23,750	18,610	1608
	10 (-12°C)	18,065	14,168	1387	19,092	14,963	1430	21,282	16,695	1525	24,283	19,034	1631
	14 (-10°C)	18,502	14,511	1397	19,546	15,324	1440	22,059	17,302	1536	24,863	19,495	1643
	17 (-8°C)	18,976	14,883	1397	20,039	15,715	1440	22,900	17,958	1536	25,491	19,994	1643
	23 (-5°C)	20,271	15,901	1397	21,682	17,008	1440	24,843	19,485	1525	27,328	21,434	1632
	59 (15°C)	24,582	19,279	1611	26,293	20,621	1653	28,797	22,579	1760	33,147	25,996	1888
	70 (21°C)	27,840	21,835	2368	29,580	23,196	2443	31,610	24,792	2592	36,250	28,435	2773
	75 (24°C)	27,511	21,580	2432	29,261	22,951	2507	31,320	24,567	2667	35,960	28,200	2859
	80 (27°C)	26,835	21,042	2539	28,575	22,413	2624	31,030	24,342	2784	35,380	27,749	2987
	85 (30°C)	26,158	20,513	2720	27,898	21,884	2805	30,450	23,882	2976	34,848	27,328	3189
	90 (32°C)	25,491	19,994	2837	27,221	21,346	2923	29,870	23,431	3104	34,152	26,790	3328
	95 (35°C)	24,756	19,417	2923	26,487	20,768	3008	29,000	22,746	3200	33,379	26,182	3424
	100 (38°C)	24,157	18,947	2965	25,878	20,298	3061	28,623	22,452	3253	32,780	25,712	3488
	105 (40°C)	23,558	18,477	3019	25,278	19,828	3115	28,246	22,158	3307	32,180	25,233	3541
110 (43°C)	22,949	17,997	3051	24,679	19,348	3147	27,647	21,678	3349	31,571	24,763	3584	
115 (46°C)	23,322	17,527	3083	24,070	18,878	3179	27,047	21,208	3381	30,972	24,293	3616	
118 (48°C)	21,750	17,057	3115	23,200	18,193	3211	26,100	20,474	3413	29,870	23,431	3648	

HEATING PERFORMANCE

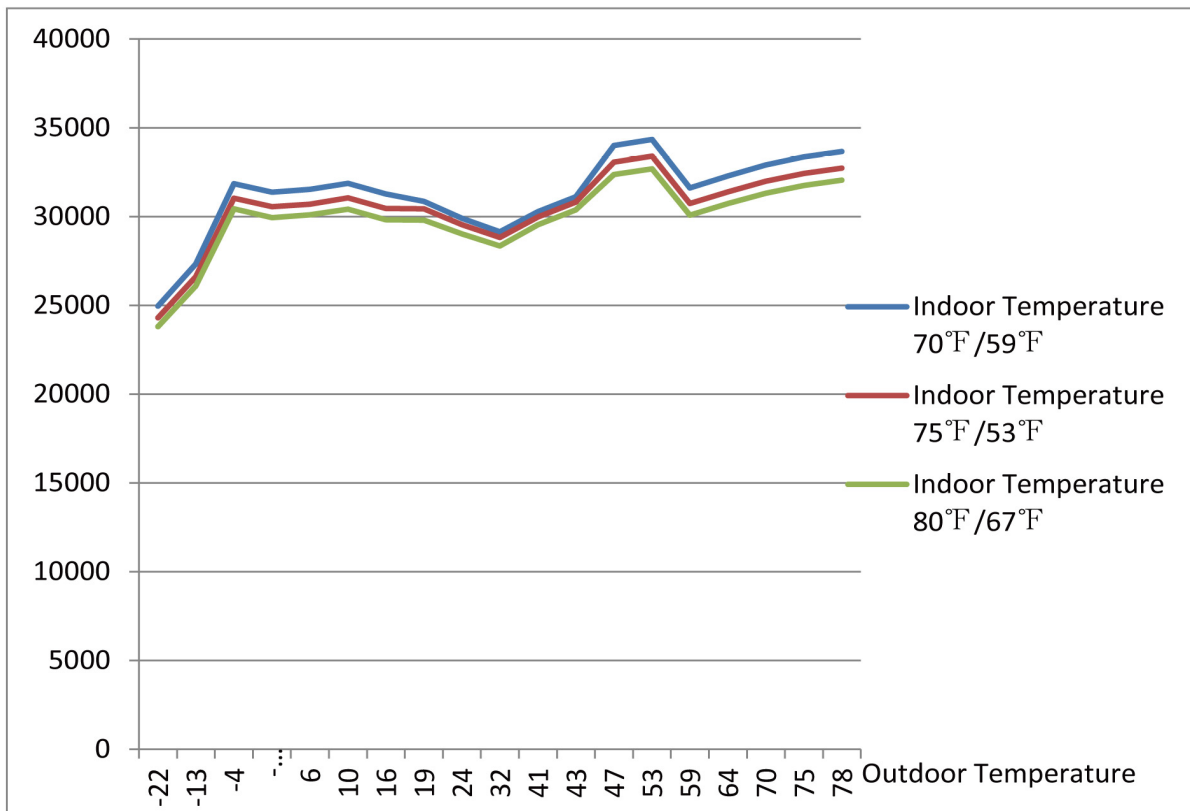
DB WB		Indoor Ambient Temperature											
		70°F (21°C) 59°F (15°C)			75°F (24°C) 63°F (17°C)			80°F (27°C) 67°F (19°C)			90°F (32°C) 73°F (23°C)		
		TC (BtuH)	SC (BtuH)	Input Power (watts)	TC (BtuH)	SC (BtuH)	Input Power (watts)	TC (BtuH)	SC (BtuH)	Input Power (watts)	TC (BtuH)	SC (BtuH)	Input Power (watts)
Outdoor Ambient Temperature (DB)	-22 (-30°C)	24,954	24,954	5502	24,292	24,292	5629	23,801	23,801	5742			
	-13 (-25°C)	27,324	27,324	5581	26,614	26,614	5710	26,089	26,089	5824			
	-4 (-20°C)	31,846	31,846	5420	31,034	31,034	5545	30,433	30,433	5656			
	-0.4 (-18°C)	31,376	31,376	5513	30,550	30,550	5641	29,933	29,933	5753			
	6 (-14°C)	31,523	31,523	5237	30,703	30,703	5358	30,097	30,097	5465			
	10 (-12°C)	31,872	31,872	5288	31,044	31,044	5410	30,423	30,423	5519			
	16 (-9°C)	31,268	31,268	5249	30,448	30,448	5371	29,825	29,825	5478			
	19 (-7°C)	30,852	30,852	4905	30,427	30,427	5019	29,802	29,802	5119			
	24 (-4°C)	29,903	29,903	5081	29,546	29,546	5199	29,011	29,011	5303			
	32 (0°C)	29,135	29,135	4861	28,814	28,814	4974	28,344	28,344	5073			
	41 (5°C)	30,281	30,281	4499	29,984	29,984	4603	29,535	29,535	4695			
	43 (6°C)	31,110	31,110	3519	30,813	30,813	3600	30,373	30,373	3672			
	47 (8.3°C)	34,000	34,000	3600	33,065	33,065	3683	32,366	32,366	3757			
	53 (12°C)	34,340	34,340	3271	33,394	33,394	3347	32,695	32,695	3414			
	59 (15°C)	31,614	31,614	3303	30,734	30,734	3379	30,085	30,085	3447			
	64 (18°C)	32,283	32,283	3029	31,394	31,394	3099	30,734	30,734	3161			
70 (21°C)	32,895	32,895	3076	31,987	31,987	3147	31,308	31,308	3210				
75 (24°C)	33,354	33,354	2811	32,436	32,436	2876	31,757	31,757	2933				
78 (26°C)	33,660	33,660	2836	32,732	32,732	2902	32,044	32,044	2960				



Cooling Capacity (Btu)



Heating Capacity (Btu)

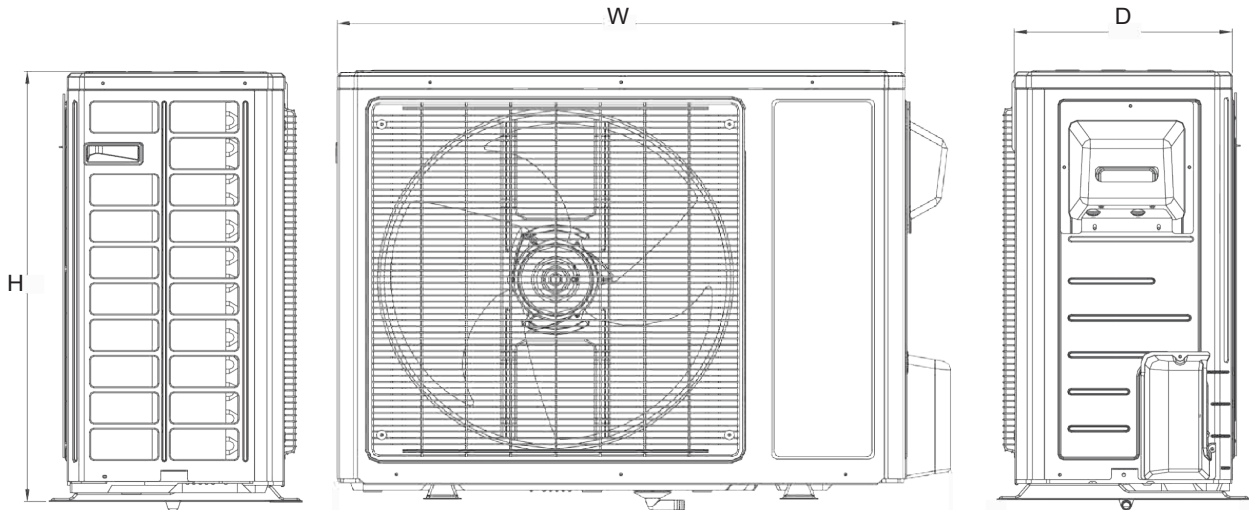
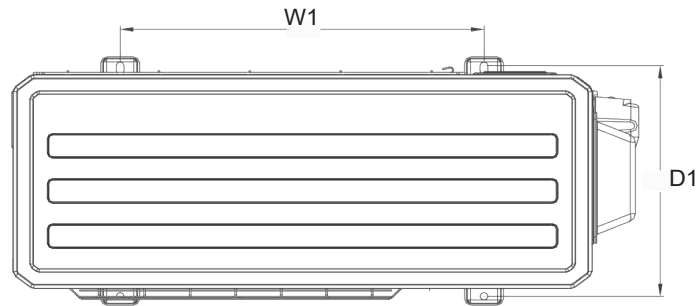




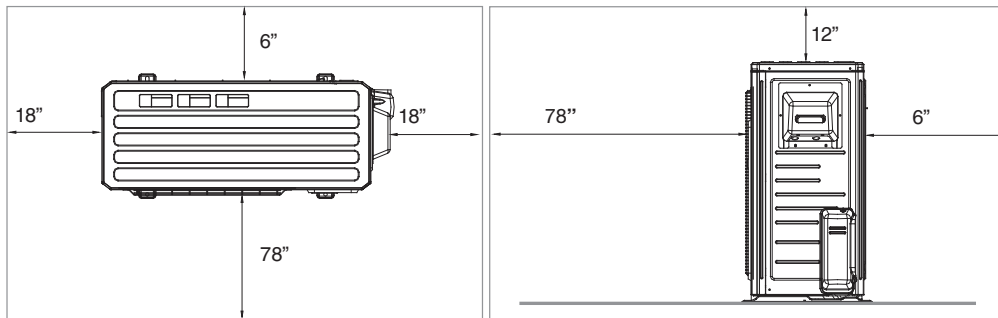
Submittal Data Sheet: WMMS-36CH-U2B(59)6

OUTDOOR UNIT

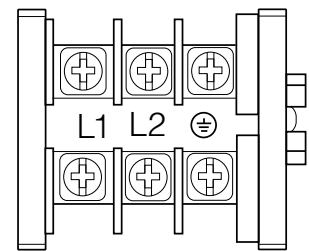
Dimensions (inches)	
W	38.58"
H	31.13"
D	16.8"



CLEARANCES



TERMINAL BLOCK



FEATURES

- Heats down to -31 °F
- 208-230/1/60 power input
- Quiet and efficient heating & cooling.
- DC Inverter technology
- Wide working ambient temperature ranges
- Compact outdoor unit with side discharge
- Outdoor unit ships pre-charged.
- High quality compressors
- Durable powder coated cabinet
- Standard flare brass connection valves
- Built to ETL/UL/CSA/AHRI standards
- Easy installation and maintenance

YMGI Group

601 Arrow Ln, O'Fallon, Missouri 63366

Phone: 1-866-833-3138

Fax: 1-866-377-3355

ymgigroup.com

sales@ymgigroup.com

Sales Representative or Distributor: