



Submittal Data Sheet: WMMS-36CH-U2B(59)5

OUTDOOR UNIT

**HEATS DOWN
to -22°F**



WMMS-36CH-U2B(59)5
2 to 3 zones

ACCESSORIES

- MOUNTING BRACKETS
- FOOT RISERS
- COPPER/WIRE/ACC.SET
- LINESET COVERS
- WINTER WIND BAFFLE

Model	WMMS-36CH-U2B(59)5	
Dimension (WXDXH)	inch	37 61/64 x 15 53/64 x 25 63/64
Dimension of Package (LXWXH)	inch	40 33/64 x 17 53/64 x 28 5/32
Dimension of Package (LXWXH)	inch	40 5/8 x 17 61/64 x 29 1/64
Net Weight	lb	114.7
Gross Weight	lb	124.6
Liquid Pipe Valve Sizes	in.	3 x 1/4"
Gas Pipe Valve Sizes	in.	3 x 3/8"
Pipe Connection Method	-	Flare Connection
R410A Refrigerant Charge	oz	84.7
Not Additional Gas Connection Pipe Length	ft	131.2
Connection Pipe Gas Additional Charge	oz/ft.	0.2
Connection Pipe Max. Height Distance (indoor and outdoor and indoor up)	ft	49.212
Max. equivalent connection pipe length(outdoor to last indoor)	ft	65.6

Job Name:		Tag #:	
Location		Date:	
General Contractor:		Mechanical Contractor:	
Sales Representative:		Sales Engineer:	
Submitted by:		Drawing #:	
Reference		PO #:	

The CHOIR (59)5 outdoor condensing unit can heat down to -22 °F at 80% efficiency, and has a 21 SEER rating. With a 36k Btu/h capacity it is capable of heating and cooling 2 to 3 zones. The (59)5 requires 208-230v, 1 phase, 60Hz power supply. Its compact design allows for installation on the ground, on a wall, or under a deck or a balcony.

Model	WMMS-36CH-U2B(59)5	
Power supply	v / Hz / ph	208-230 / 60 / 1
Cooling capacity	Btu/h	23,200 - 32,480
Heating capacity	Btu/h	24,000 - 33,600
Cooling Power Input	W	1860
Heating Power Input	W	1800
Cooling Current Input	A	8.00
Heating Current Input	A	7.83
Rated Power Input	W	3200/3400
Rated Current	A	14.2/15
EER	(Btu/h)/W	12.49
COP	(Btu/h)/W	13.34
SEER		21.00(SEER) 21.00(SEER2)
HSPF		10.00(HSPF) 10.00(HSPF2)

Connectable IDU Capacity Btu/h Total-Ranges:

Residential	Btu/h	12,000 - 36,000
Commercial	Btu/h	12,000 - 30,000
Compressor Trademark		Zhuhai Landa Compressor Co., LTD.
Compressor Model		QXFS-B212zX070
Compressor Refrigerant Oil Type		FW68DA or equivalent
Compressor Type		Twin Rotary
L.R.A	A	/
Compressor Rated Load Amp (RLA)	A	12.1
Compressor Power Input	W	1887
Compressor Thermal Protector		KSD115OC HPC115/95U1
Throttling Method		Electron expansion valve
Cooling Operation Ambient Temperature Range	°F	-22~118
Heating Operation Ambient Temperature Range	°F	-22~75.2
Condenser Material		Aluminum Fin-copper Tube
Condenser Pipe Diameter	mm	7.94
Rows-Fin Gap(mm)	mm	2-1.4
Coil length (l) X height (H) X coil width (L)	mm	851x616x38.1
Fan Motor Speed (rpm)	rpm	cooling:850 heating:850
Output of Fan Motor	W	60
Fan Motor RLA	A	/
Fan Motor Capacitor	µF	/
Air Flow Volume of Outdoor Unit	CFM	2236
Fan Type-Piece		Axial-flow
Fan Diameter	mm	520-154
Defrosting Method		Automatic Defrosting
Climate Type		T1
Isolation		I
Moisture Protection		IPX4
Permissible Excessive Operating Pressure for the Discharge Side	PSIG	550
Permissible Excessive Operating Pressure for the Suction Side	PSIG	240
Cross-sectional Area of Power Cable Conductor	sq in	0.0051(AWG12)
Recommended Power Cable(Core)	N	3
Outer Diameter Liquid Pipe1 Pipe2 Pipe3	inch	1/4" 1/4" 1/4"
Outer Diameter Gas Pipe1 Pipe2 Pipe3	inch	3/8" 3/8" 3/8"
Connection Pipe Max. Height Distance (indoor and outdoor and outdoor up)	ft	49.212
Connection Pipe Max. Length Distance (total length)	ft	196.8

Outdoor Unit



Submittal Data Sheet: WMMS-36CH-U2B(59)5

COOLING PERFORMANCE

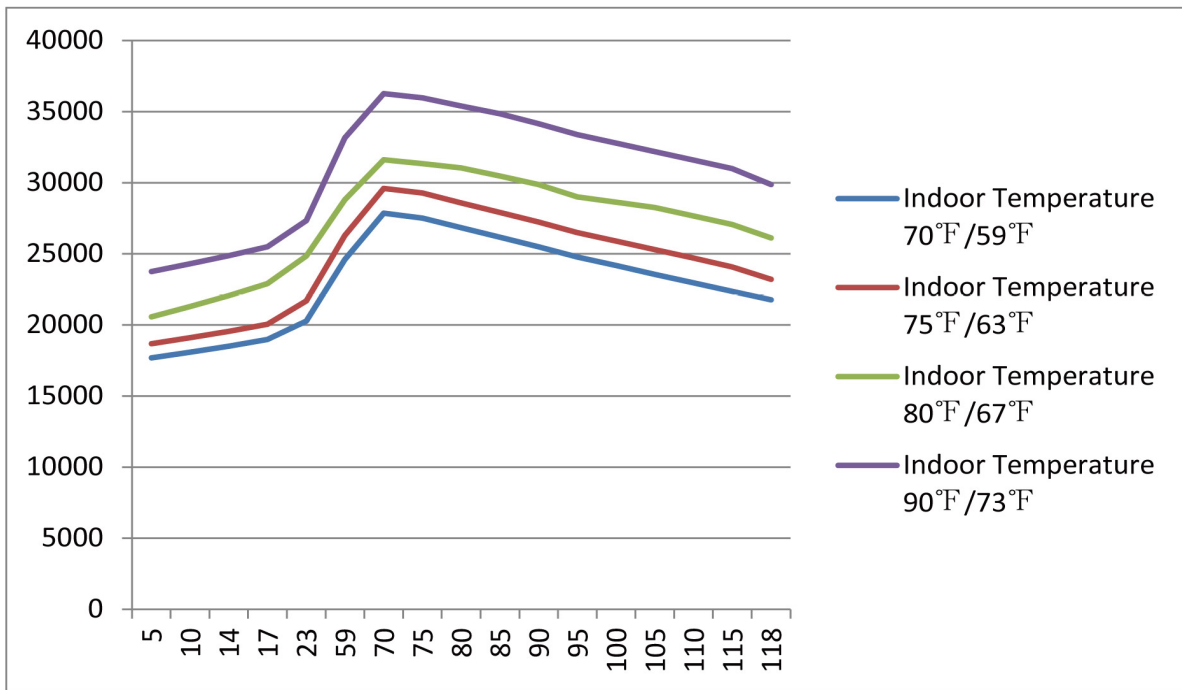
DB WB		Indoor Ambient Temperature											
		70°F (21°C) 59°F (15°C)			75°F (24°C) 63°F (17°C)			80°F (27°C) 67°F (19°C)			90°F (32°C) 73°F (23°C)		
		TC (BtuH)	SC (BtuH)	Input Power (watts)	TC (BtuH)	SC (BtuH)	Input Power (watts)	TC (BtuH)	SC (BtuH)	Input Power (watts)	TC (BtuH)	SC (BtuH)	Input Power (watts)
Outdoor Ambient Temperature (DB)	5 (-15°C)	17,664	13,852	1368	18,674	14,631	1409	20,564	16,135	1504	23,750	18,610	1608
	10 (-12°C)	18,065	14,168	1387	19,092	14,963	1430	21,282	16,695	1525	24,283	19,034	1631
	14 (-10°C)	18,502	14,511	1397	19,546	15,324	1440	22,059	17,302	1536	24,863	19,495	1643
	17 (-8°C)	18,976	14,883	1397	20,039	15,715	1440	22,900	17,958	1536	25,491	19,994	1643
	23 (-5°C)	20,271	15,901	1397	21,682	17,008	1440	24,843	19,485	1525	27,328	21,434	1632
	59 (15°C)	24,582	19,279	1611	26,293	20,621	1653	28,797	22,579	1760	33,147	25,996	1888
	70 (21°C)	27,840	21,835	2368	29,580	23,196	2443	31,610	24,792	2592	36,250	28,435	2773
	75 (24°C)	27,511	21,580	2432	29,261	22,951	2507	31,320	24,567	2667	35,960	28,200	2859
	80 (27°C)	26,835	21,042	2539	28,575	22,413	2624	31,030	24,342	2784	35,380	27,749	2987
	85 (30°C)	26,158	20,513	2720	27,898	21,884	2805	30,450	23,882	2976	34,848	27,328	3189
	90 (32°C)	25,491	19,994	2837	27,221	21,346	2923	29,870	23,431	3104	34,152	26,790	3328
	95 (35°C)	24,756	19,417	2923	26,487	20,768	3008	29,000	22,746	3200	33,379	26,182	3424
	100 (38°C)	24,157	18,947	2965	25,878	20,298	3061	28,623	22,452	3253	32,780	25,712	3488
	105 (40°C)	23,558	18,477	3019	25,278	19,828	3115	28,246	22,158	3307	32,180	25,233	3541
110 (43°C)	22,949	17,997	3051	24,679	19,348	3147	27,647	21,678	3349	31,571	24,763	3584	
115 (46°C)	23,322	17,527	3083	24,070	18,878	3179	27,047	21,208	3381	30,972	24,293	3616	
118 (48°C)	21,750	17,057	3115	23,200	18,193	3211	26,100	20,474	3413	29,870	23,431	3648	

HEATING PERFORMANCE

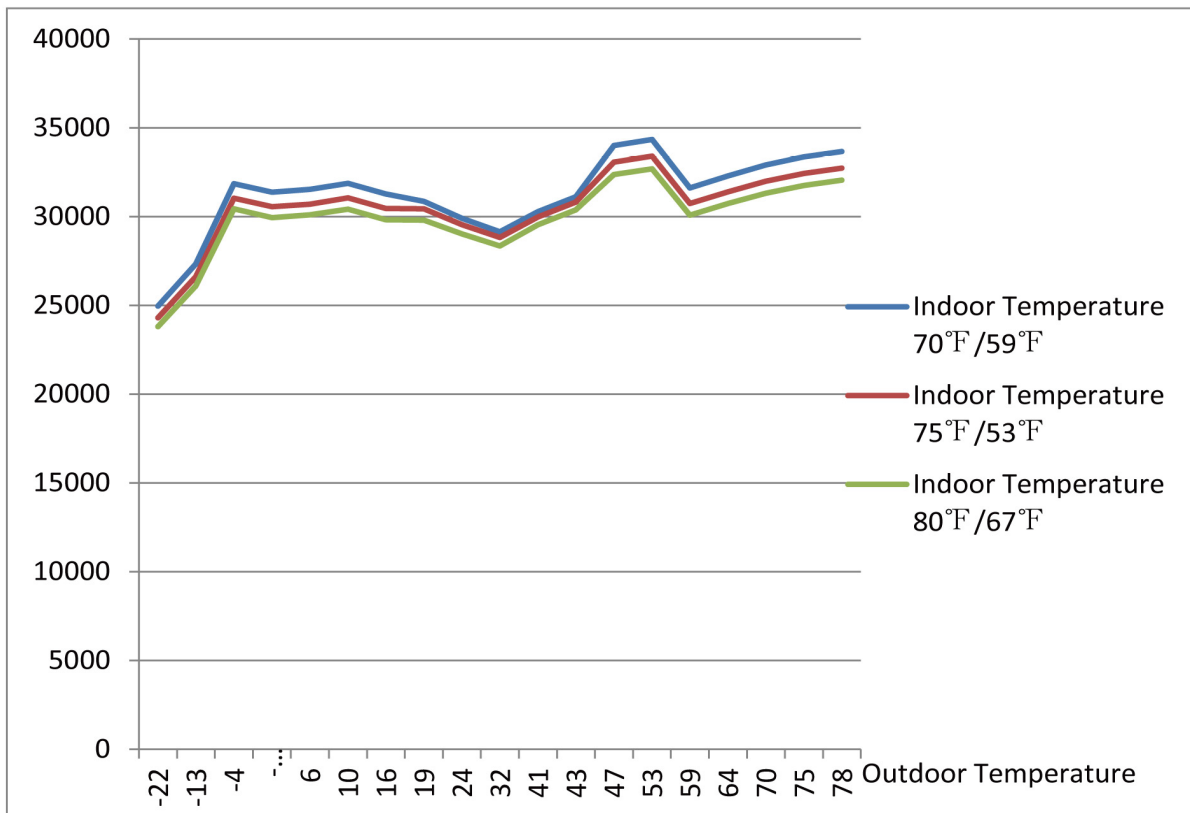
DB WB		Indoor Ambient Temperature											
		70°F (21°C) 59°F (15°C)			75°F (24°C) 63°F (17°C)			80°F (27°C) 67°F (19°C)			90°F (32°C) 73°F (23°C)		
		TC (BtuH)	SC (BtuH)	Input Power (watts)	TC (BtuH)	SC (BtuH)	Input Power (watts)	TC (BtuH)	SC (BtuH)	Input Power (watts)	TC (BtuH)	SC (BtuH)	Input Power (watts)
Outdoor Ambient Temperature (DB)	-22 (-30°C)	24,954	24,954	5502	24,292	24,292	5629	23,801	23,801	5742			
	-13 (-25°C)	27,324	27,324	5581	26,614	26,614	5710	26,089	26,089	5824			
	-4 (-20°C)	31,846	31,846	5420	31,034	31,034	5545	30,433	30,433	5656			
	-0.4 (-18°C)	31,376	31,376	5513	30,550	30,550	5641	29,933	29,933	5753			
	6 (-14°C)	31,523	31,523	5237	30,703	30,703	5358	30,097	30,097	5465			
	10 (-12°C)	31,872	31,872	5288	31,044	31,044	5410	30,423	30,423	5519			
	16 (-9°C)	31,268	31,268	5249	30,448	30,448	5371	29,825	29,825	5478			
	19 (-7°C)	30,852	30,852	4905	30,427	30,427	5019	29,802	29,802	5119			
	24 (-4°C)	29,903	29,903	5081	29,546	29,546	5199	29,011	29,011	5303			
	32 (0°C)	29,135	29,135	4861	28,814	28,814	4974	28,344	28,344	5073			
	41 (5°C)	30,281	30,281	4499	29,984	29,984	4603	29,535	29,535	4695			
	43 (6°C)	31,110	31,110	3519	30,813	30,813	3600	30,373	30,373	3672			
	47 (8.3°C)	34,000	34,000	3600	33,065	33,065	3683	32,366	32,366	3757			
	53 (12°C)	34,340	34,340	3271	33,394	33,394	3347	32,695	32,695	3414			
	59 (15°C)	31,614	31,614	3303	30,734	30,734	3379	30,085	30,085	3447			
	64 (18°C)	32,283	32,283	3029	31,394	31,394	3099	30,734	30,734	3161			
70 (21°C)	32,895	32,895	3076	31,987	31,987	3147	31,308	31,308	3210				
75 (24°C)	33,354	33,354	2811	32,436	32,436	2876	31,757	31,757	2933				
78 (26°C)	33,660	33,660	2836	32,732	32,732	2902	32,044	32,044	2960				



Cooling Capacity (Btu)



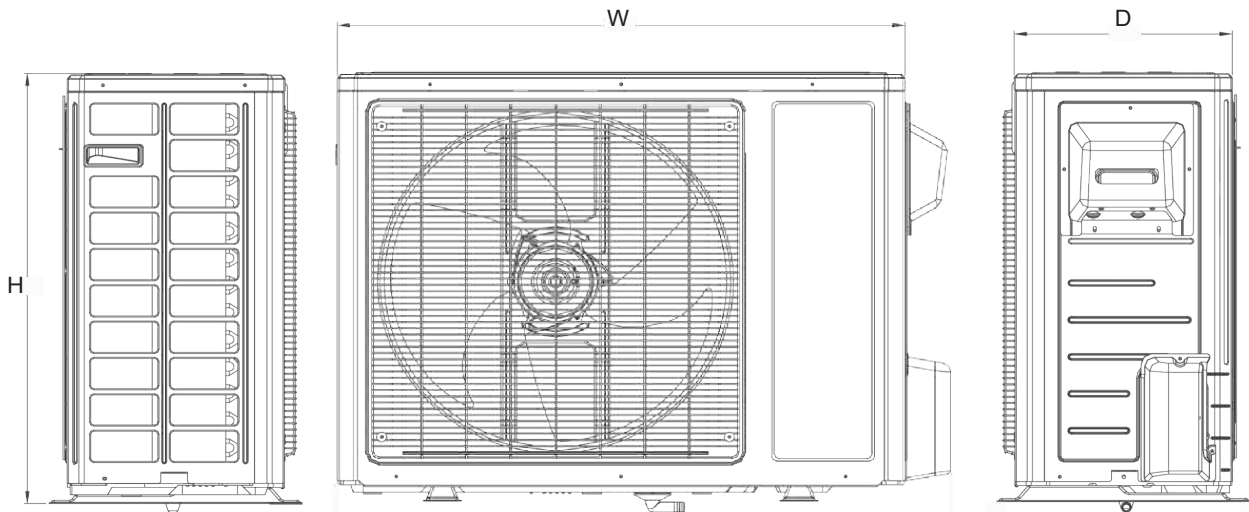
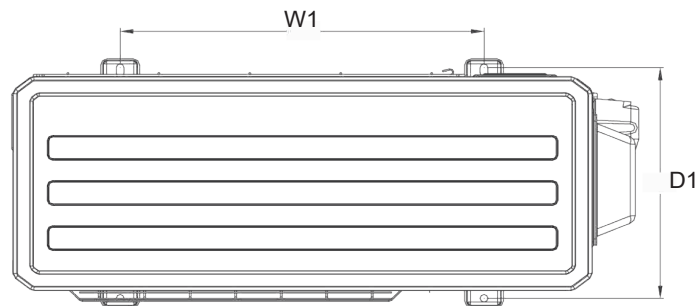
Heating Capacity (Btu)



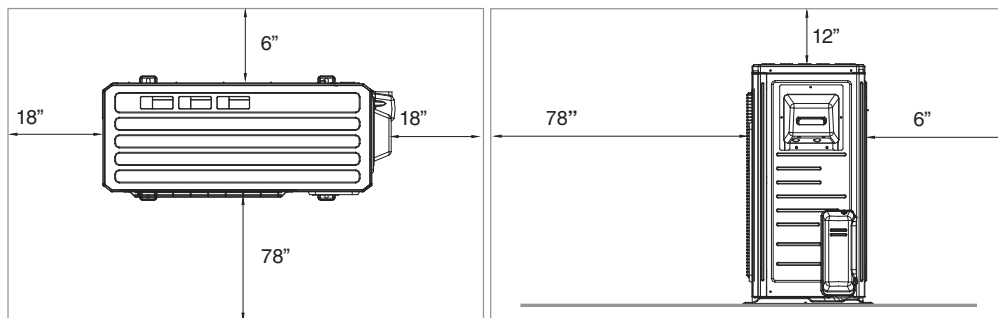


OUTDOOR UNIT

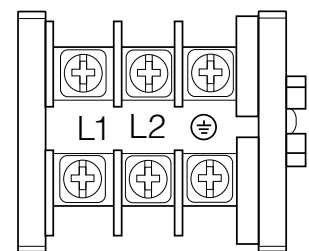
Dimensions (inches)	
W	38.58"
H	31.13"
D	16.8"



CLEARANCES



TERMINAL BLOCK



FEATURES

- Heats down to -22 °F
- 208-230/1/60 power input
- Quiet and efficient heating & cooling.
- DC Inverter technology
- Wide working ambient temperature ranges
- Compact outdoor unit with side discharge
- Outdoor unit ships pre-charged.
- High quality compressors
- Durable powder coated cabinet
- Standard flare brass connection valves
- Built to ETL/UL/CSA/AHRI standards
- Easy installation and maintenance

YMGI Group

601 Arrow Ln, O'Fallon, Missouri 63366
 Phone: 1-866-833-3138
 Fax: 1-866-377-3355
 ymgigroup.com
 sales@ymgigroup.com

Sales Representative or Distributor: