



Submittal Data Sheet: WMMS-42CH-U2B(59)5

OUTDOOR UNIT

**HEATS DOWN
to -22°F**



WMMS-42CH-U2B(59)5
2 to 4 zones

ACCESSORIES

- MOUNTING BRACKETS
- FOOT RISERS
- COPPER/WIRE/ACC.SET
- LINESET COVERS
- WINTER WIND BAFFLE

Model	WMMS-36CH-U2B(59)5	
Dimension (WXDXH)	inch	40 5/32 x 16 13/16 x 32 33/64
Dimension of Package (LXWXH)	inch	42 29/32 x 19 29/64 x 34 1/4
Dimension of Package(LX-WXH)	inch	43 1/32 x 19 9/16 x 34 27/32
Net Weight	lb	152.1
Gross Weight	lb	167.6
Liquid Pipe Valve Sizes	in.	3 x 1/4"
Gas Pipe Valve Sizes	in.	3 x 3/8"
Pipe Connection Method	-	Flare Connection
R410A Refrigerant Charge	oz	105.8
Not Additional Gas Connection Pipe Length	ft	131.2
Connection Pipe Gas Additional Charge	oz/ft.	0.2
Connection Pipe Max. Height Distance (indoor and indoor)	ft	82.0
Max. equivalent connection pipe length (outdoor to last indoor)	ft	82.0

Job Name:		Tag #:	
Location		Date:	
General Contractor:		Mechanical Contractor:	
Sales Representative:		Sales Engineer:	
Submitted by:		Drawing #:	
Reference		PO #:	

The CHOIR (59)5 outdoor condensing unit can heat down to -22 °F at 80% efficiency, and has a 21 SEER rating. With a 36k Btu/h capacity it is capable of heating and cooling 2 to3 zones. The (59)5 requires 208-230v, 1 phase, 60Hz power supply. Its compact design allows for installation on the ground, on a wall, or under a deck or a balcony.

Model		WMMS-42CH-U2B(59)5
Power supply	v / Hz / ph	208-230 / 60 / 1
Cooling capacity	Btu/h	28,400- 39,760
Heating capacity	Btu/h	30,000 - 42,000
Cooling Power Input	W	2270
Heating Power Input	W	2250
Cooling Current Input	A	10.07
Heating Current Input	A	9.98
Rated Power Input	W	4600/5000
Rated Current	A	20.41/21.74
EER	(Btu/h)/W	12.49
COP	(Btu/h)/W	13.34
SEER		21.00(SEER) 21.00(SEER2)
HSPF		10.00(HSPF) 10.00(HSPF2)

Connectable IDU Capacity Btu/h Total-Ranges:

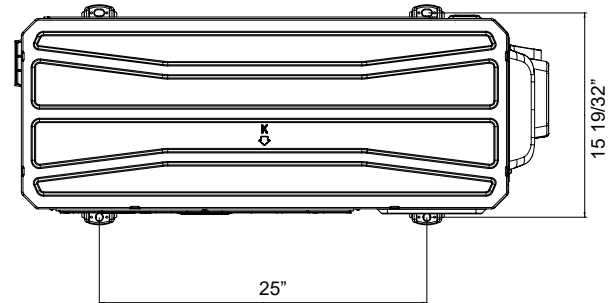
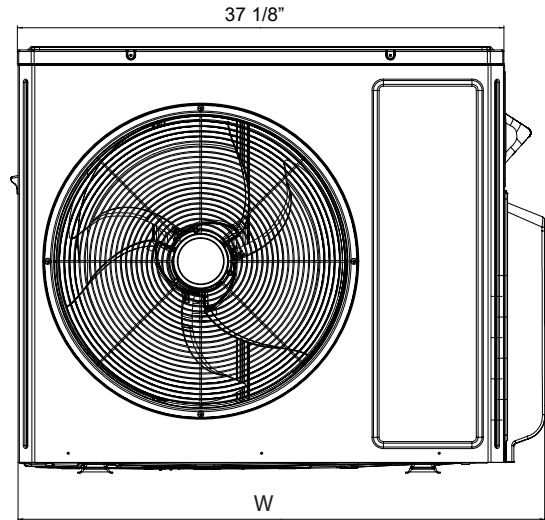
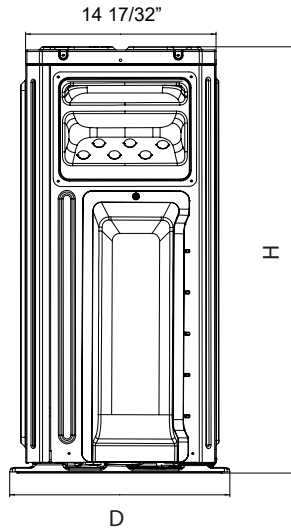
	Btu/h	28,000 - 48,000
Residential	Btu/h	28,000 - 42,000
Commercial	Btu/h	28,000 - 42,000
Compressor Trademark		Zhuhai Landa Compressor Co.,LTD.
Compressor Model		QXFS-B238zX070
Compressor Refrigerant Oil Type		FW68DA or equivalent
Compressor Type		Inverter Rotary
L.R.A	A	/
Compressor Rated Load Amp (RLA)	A	14.25
Compressor Power Input	W	2047
Compressor Thermal Protector		KSD115OC HPC115/95U1
Throttling Method		Electron expansion valve
Cooling Operation Ambient Temperature Range	°F	-22~118
Heating Operation Ambient Temperature Range	°F	-22~75.2
Condenser Material		Aluminum Fin-copper Tube
Condenser Pipe Diameter	mm	7.94
Rows-Fin Gap(mm)	mm	2-1.4
Condenser Length x Height x Width	mm	1066x792x38.1
Fan Motor Speed (rpm)	rpm	cooling:860 heating:860
Output of Fan Motor	W	130
Fan Motor RLA	A	/
Fan Motor Capacitor	µF	/
Air Flow Volume of Outdoor Unit	CFM	3413
Fan Type-Piece		Axial-flow
Fan Diameter	mm	550-205
Defrosting Method		Automatic Defrosting
Climate Type		T1
Isolation		I
Moisture Protection		IPX4
Permissible Excessive Operating Pressure for the Discharge Side	PSIG	550
Permissible Excessive Operating Pressure for the Suction Side	PSIG	240
Cross-sectional Area of Power Cable Conductor	sq in	0.008215 (AWG10)
Recommended Power Cable(Core)	N	3
Outer Diameter Liquid Pipe1 Pipe 2 Pipe 3 Pipe 4	inch	1/4" 1/4" 1/4" 1/4"
Outer Diameter Gas Pipe1 Pipe 2 Pipe 3 Pipe 4	inch	3/8" 3/8" 3/8" 3/8"
Connection Pipe Max. Height Distance (indoor and outdoor and outdoor up)	ft	82.0
Connection Pipe Max. Length Distance(total length)	ft	262.5

Outdoor Unit



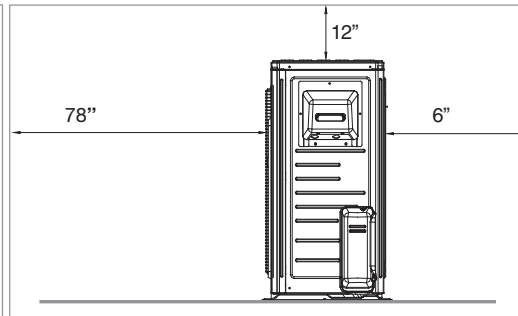
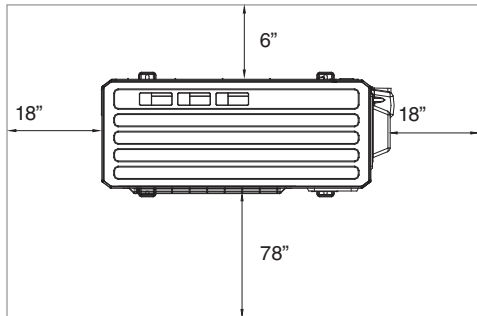
OUTDOOR UNIT

Dimensions (inches)	
W	40 5/32"
H	32 33/64"
D	16 13/16"

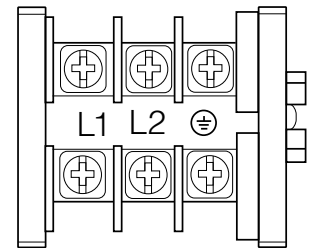


Unit: inch

CLEARANCES



TERMINAL BLOCK



FEATURES

- Heats down to -22 °F
- 208-230/1/60 power input
- Quiet and efficient heating & cooling.
- DC Inverter technology
- Wide working ambient temperature ranges
- Compact outdoor unit with side discharge
- Outdoor unit ships pre-charged.
- High quality compressors
- Durable powder coated cabinet
- Standard flare brass connection valves
- Built to ETL/UL/CSA/AHRI standards
- Easy installation and maintenance

YMGI Group
 601 Arrow Ln, O'Fallon, Missouri 63366
 Phone: 1-866-833-3138
 Fax: 1-866-377-3355
 ymgigroup.com

Sales Representative or Distributor:



Cooling Capacity (Btu/H)

Indoor Units Combinations	Rated System Capacity (BtuH)	Capacity Rating (Min.~Max.) BtuH	Indoor Unit A (BtuH)	Indoor Unit B (BtuH)	Indoor Unit C (BtuH)	Indoor Unit D (BtuH)
9k+9k	18000	6824~26600	9000	9000		
9k+12k	21000	7165~27300	9000	12000		
12k+12k	24000	7200~30000	12000	12000		
9k+18k	25000	7300~32000	8400	16600		
12k+18k	25500	7400~32500	10000	15000		
18k+18k	26000	7500~32500	12750	12750		
9k+9k+9k	26000	7500~34000	8667	8667	8667	
9k+9k+12k	26000	7500~34000	8000	8000	10000	
9k+12k+12k	26000	7500~34000	6000	10000	10000	
9k+9k+18k	26000	7500~34000	7000	7000	12000	
12k+12k+12k	26000	7500~34000	8667	8667	8667	
9k+12k+18k	27000	7500~34000	6800	7200	13000	
12k+12k+18k	28000	7500~34000	6500	6500	15000	
9k+9k+9k+9k	29000	7500~34000	7250	7250	7250	7250
9k+9k+9k+12k	29000	7500~34000	7000	7000	7000	8000
9k+9k+12k+12k	29000	7500~34000	6800	6800	7700	7700

Heating Capacity (Btu/H)

Indoor Units Combinations	Rated System Capacity (BtuH)	Capacity Rating (Min.~Max.) BtuH	Indoor Unit A (BtuH)	Indoor Unit B (BtuH)	Indoor Unit C (BtuH)	Indoor Unit D (BtuH)
9k+9k	19000	7100~33000	9500	9500		
9k+12k	22500	7100~33500	9500	13000		
12k+12k	26000	7200~34000	13000	13000		
9k+18k	27000	7300~34000	9000	18000		
12k+18k	28000	7400~34000	11200	16800		
18k+18k	28500	7400~34400	14250	14250		
9k+9k+9k	29000	7500~35000	9667	9667	9667	
9k+9k+12k	29000	7600~35000	9000	9000	11000	
9k+12k+12k	29000	7600~35000	6000	11500	11500	
9k+9k+18k	29000	7600~35000	6000	6000	17000	
12k+12k+12k	29000	7600~35000	9667	9667	9667	
9k+12k+18k	29000	7600~35000	6802	9308	12888	
12k+12k+18k	29000	7600~35000	8567	8567	11862	
9k+9k+9k+9k	30500	7600~36000	7625	7625	7625	7625
9k+9k+9k+12k	30500	7600~36000	7100	7100	7100	9200
9k+9k+12k+12k	31000	7600~36000	6500	6500	9000	9000

Capacity data is based on the following conditions:

Cooling Nominal Test Conditions
 Indoor: 80°F DB/67°F WB
 Outdoor: 95°F DB/75°F WB

Heating Nominal Test Conditions
 Indoor: 70°F DB/60°F WB
 Outdoor: 47°F DB/43°F WB



Cooling Performance

Outdoor Ambient Temperature (DB)	Indoor Entering Air Temperature (DB) 50% RH					
	62°F		67°F		72°F	
	TC	SHC	TC	SHC	TC	SHC
25°F	35679	26492	38564	27920	41224	29681
35°F	34867	26460	37132	27106	38935	28150
45°F	33144	25454	35444	26300	37976	27532
55°F	31909	24697	34026	25519	36476	26628
65°F	30821	23948	33913	25740	35960	26287
75°F	29609	23154	31900	24531	34310	25320
85°F	28420	22565	30450	23507	33060	24696
95°F	26970	21549	29000	23171	31726	23826
105°F	25520	20722	27486	21934	29870	22940
115°F	24068	19832	25518	20669	27258	21343

Heating Performance

Outdoor Ambient Temperature (DB) (80% RH)	Indoor Entering Air Temperature (DB)					
	65°F		70°F		75°F	
	TC	SHC	TC	SHC	TC	SHC
5°F	24974	24974	23570	23570	22992	22992
15°F	26694	26694	24354	24354	24207	24207
25°F	28324	28324	26883	26883	25353	25353
35°F	29905	29905	27679	27679	26518	26518
45°F	31467	31467	30400	30400	28558	28558
55°F	31509	31509	30598	30598	29260	29260
65°F	31360	31360	30902	30902	29950	29950

TH: Total Capacity (BtuH)
 SHC: Sensible Capacity (BtuH)