



Submittal Data Sheet: WMMS-60CH-U2B(59)5

OUTDOOR UNIT

**HEATS DOWN
to -22°F**



WMMS-60CH-U2B(59)5
2 to 5 zones

ACCESSORIES

- MOUNTING BRACKETS
- FOOT RISERS
- COPPER/WIRE/ACC.SET
- LINESET COVERS
- WINTER WIND BAFFLE

Model	WMMS-60CH-U2B(59)5	
Dimension (WXDXH)	inch	40 5/32 x 16 13/16 x 32 33/64
Dimension of Package (LXWXH)	inch	42 29/32 x 19 29/64 x 34 1/4
Dimension of Package(LX-WXH)	inch	43 1/32 x 19 9/16 x 34 27/32
Net Weight	lb	174.2
Gross Weight	lb	189.6
Liquid Pipe Valve Sizes	in.	5 x 1/4"
Gas Pipe Valve Sizes	in.	5 x 3/8"
Connection Pipe Connection Method	-	Flare Connection
R410A Refrigerant Charge	oz	134.0
Not Additional Gas Connection Pipe Length	ft	164.0
Connection Pipe Gas Additional Charge	oz/ft.	0.2
Connection Pipe Max. Height Distance(indoor and indoor)	ft	82.0
Max. equivalent connection pipe length (outdoor to last indoor)	ft	82.0

Job Name:		Tag #:	
Location		Date:	
General Contractor:		Mechanical Contractor:	
Sales Representative:		Sales Engineer:	
Submitted by:		Drawing #:	
Reference		PO #:	

The CHOIR (59)5 outdoor condensing unit can heat down to -22 °F at 80% efficiency, and has a 21 SEER rating. With a 60k Btu/h capacity it is capable of heating and cooling 2 to 5 zones. The (59)5 requires 208-230v, 1 phase, 60Hz power supply. Its compact design allows for installation on the ground, on a wall, or under a deck or a balcony.

Model		WMMS-60CH-U2B(59)5
Power supply	v / Hz / ph	208-230 / 60 / 1
Cooling capacity	Btu/h	36,000 - 50,400
Heating capacity	Btu/h	40,000 - 56,000
Cooling Power Input	W	3000
Heating Power Input	W	3020
Cooling Current Input	A	13.31
Heating Current Input	A	13.40
Rated Power Input	W	4600/5200
Rated Current	A	20.41/22.61
EER	(Btu/h)/W	12.00
COP	(Btu/h)/W	13.25
SEER		21.00(SEER) 21.00(SEER2)
HSPF		10.00(HSPF) 10.00(HSPF2)

Connectable IDU Capacity Btu/h Total-Ranges:

	Residential	Btu/h	40,000 - 60,000
	Commercial	Btu/h	40,000 - 54,000
Compressor Trademark			Zhuhai Landa Compressor Co, LTD
Compressor Model			QXFS-D280zX070C
Compressor Refrigerant Oil Type			FW68DA or equivalent
Compressor Type			Twin Rotary
L.R.A	A	/	
Compressor Rated Load Amp (RLA)	A	18.4	
Compressor Power Input	W	2294	
Compressor Thermal Protector			KSD115OC HPC115/95U1
Throttling Method			Electron expansion valve
Cooling Operation Ambient Temperature Range	°F		-22~118
Heating Operation Ambient Temperature Range	°F		-22~75.2
Condenser Material			Aluminum Fin-copper Tube
Condenser Pipe Diameter	mm	7.94	
Rows-Fin Gap(mm)	mm	3-1.6	
Condenser Length x Height x Width	mm	1066x792x57.1	
Fan Motor Speed (rpm)	rpm	cooling:860 heating:860	
Output of Fan Motor	W	130	
Fan Motor RLA	A	/	
Fan Motor Capacitor	µF	/	
Air Flow Volume of Outdoor Unit	CFM	3413	
Fan Type-Piece			Axial-flow
Fan Diameter	mm	550-205	
Defrosting Method			Automatic Defrosting
Climate Type			T1
Isolation			I
Moisture Protection			IPX4
Permissible Excessive Operating Pressure for the Discharge Side	PSIG	550	
Permissible Excessive Operating Pressure for the Suction Side	PSIG	240	
Cross-sectional Area of Power Cable Conductor	sq in	0.008215(AWG10)	
Recommended Power Cable(Core)	N	3	
Outer Diameter Liquid Pipe1 Pipe 2 Pipe 3 Pipe 4 Pipe 5	inch	1/4" 1/4" 1/4" 1/4" 1/4"	
Outer Diameter Gas Pipe1 Pipe 2 Pipe 3 Pipe 4 Pipe 5	inch	3/8" 3/8" 3/8" 3/8" 3/8"	
Connection Pipe Max. Height Distance (indoor and outdoor and indoor up)	ft	82.0	
Connection Pipe Max. Length Distance(total length)	ft	328.1	



Submittal Data Sheet: WMMS-60CH-U2B(59)5

COOLING PERFORMANCE

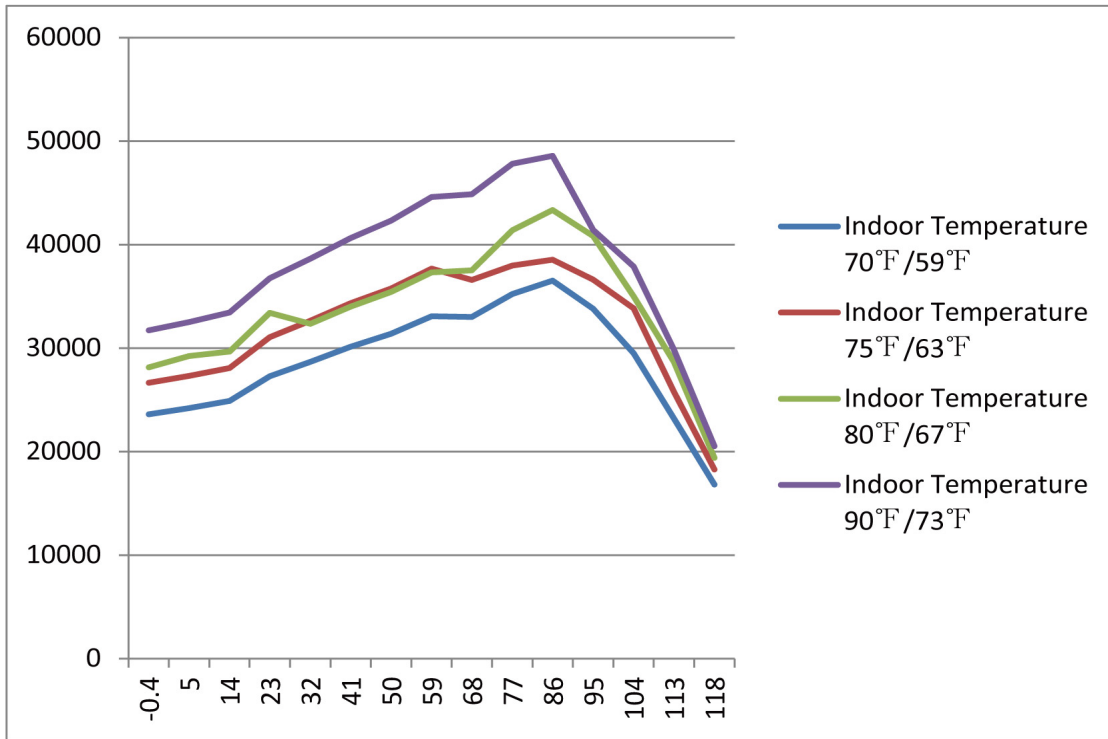
DB WB		Indoor Ambient Temperature											
		70°F (21°C) 59°F (15°C)			75°F (24°C) 63°F (17°C)			80°F (27°C) 67°F (19°C)			90°F (32°C) 73°F (23°C)		
		TC (BtuH)	SC (BtuH)	Input Power (watts)	TC (BtuH)	SC (BtuH)	Input Power (watts)	TC (BtuH)	SC (BtuH)	Input Power (watts)	TC (BtuH)	SC (BtuH)	Input Power (watts)
Outdoor Ambient Temperature (DB)	-0.4 (-18°C)	23,610	18,510	1620	26,630	20,890	1710	28,140	22,070	1780	31,720	24,870	1900
	5 (-15°C)	24,210	18,990	1620	27,310	21,420	1730	29,220	22,910	1780	32,520	25,510	1900
	14 (-10°C)	24,880	19,510	1630	28,070	22,020	1730	29,670	23,270	1800	33,440	26,220	1920
	23 (-5°C)	27,260	21,380	1630	31,060	24,360	1730	33,410	26,200	1780	36,750	28,820	1910
	32 (0°C)	28,654	22,475	1629	32,641	25,603	1725	32,329	26,323	1785	38,639	29,478	1915
	41 (5°C)	30,124	23,627	1713	34,315	26,916	1813	33,987	27,673	1877	40,621	30,989	2014
	50 (10°C)	31,379	24,612	1784	35,745	28,038	1889	35,403	28,826	1955	42,313	32,281	2098
	59 (15°C)	33,060	25,930	1880	37,660	29,540	1990	37,300	30,370	2060	44,580	34,010	2210
	68 (20°C)	33,012	29,754	1980	36,575	29,396	1990	37,499	32,125	2000	44,870	34,138	2210
	77 (25°C)	35,213	29,174	2480	37,977	30,965	2685	41,389	33,541	2820	47,804	34,463	2515
	86 (30°C)	36,510	29,037	3650	38,540	31,238	3555	43,334	34,121	3600	48,572	35,333	3280
	95 (35°C)	33,780	29,344	3635	36,612	31,801	3485	40,809	33,780	3590	41,406	33,814	3555
104 (40°C)	29,481	27,297	3600	33,831	30,931	3645	34,974	32,586	3670	37,875	32,722	3735	
113 (45°C)	23,203	22,486	2750	25,779	24,567	2775	28,662	26,683	2800	29,856	28,031	2830	
118 (48°C)	16,795	16,508	1988	18,255	17,668	2101	19,381	18,528	2158	20,531	19,749	2204	

HEATING PERFORMANCE

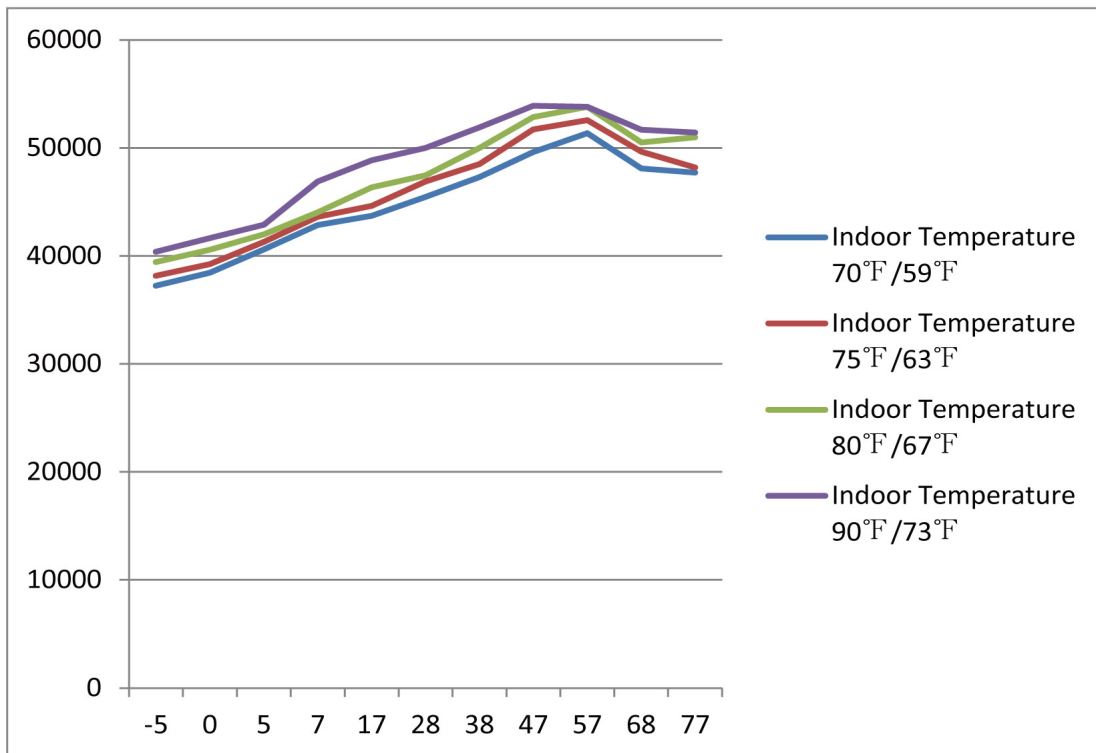
DB WB		Indoor Ambient Temperature											
		70°F (21°C) 59°F (15°C)			75°F (24°C) 63°F (17°C)			80°F (27°C) 67°F (19°C)			90°F (32°C) 73°F (23°C)		
		TC (BtuH)	SC (BtuH)	Input Power (watts)	TC (BtuH)	SC (BtuH)	Input Power (watts)	TC (BtuH)	SC (BtuH)	Input Power (watts)	TC (BtuH)	SC (BtuH)	Input Power (watts)
Outdoor Ambient Temperature (DB)	-5 (-21°C)	37,241	24,180	7075	38,142	23,565	6995	39,421	23,016	7098	40,374	22,415	7037
	0 (-18°C)	38,447	24,880	7132	39,234	24,160	7179	40,567	23,710	7195	41,638	23,080	7205
	5 (-15°C)	40,592	26,240	7324	41,298	25,490	7394	41,997	25,010	7428	42,881	24,360	7480
	7 (-14°C)	42,851	27,350	7269	43,625	26,550	7305	44,038	26,040	7398	46,895	25,370	7482
	17 (-8°C)	43,719	28,170	6725	44,627	27,350	6805	46,334	26,830	6899	48,847	26,120	6979
	28 (-2°C)	45,462	31,820	6523	46,874	30,990	6636	47,457	30,100	6716	49,987	29,740	6855
	38 (3°C)	47,306	39,560	6408	48,487	38,730	6499	49,979	37,850	6543	51,898	37,480	6609
	47 (8°C)	49,608	44,720	6642	51,698	43,360	6789	52,849	42,500	6855	53,897	41,330	6988
	57 (14°C)	51,340	46,190	5325	52,567	44,800	5498	53,798	43,910	3410	53,796	42,690	5584
	68 (20°C)	48,080	48,080	3340	49,657	46,620	3410	50,489	45,690	3530	51,679	44,430	3620
	77 (25°C)	47,698	49,190	3432	48,178	47,710	3490	50,979	46,750	3620	51,413	45,460	3794



Cooling Capacity (Btu)



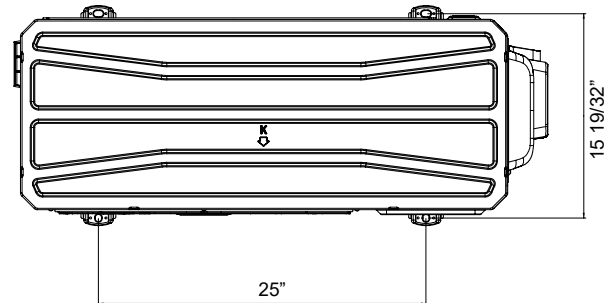
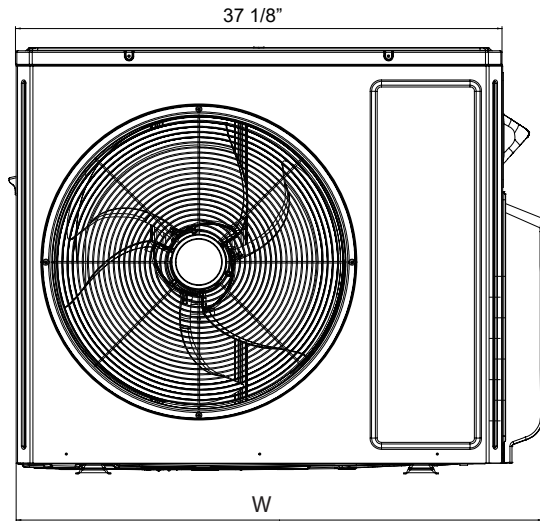
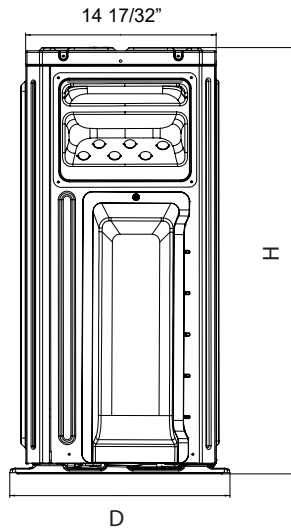
Heating Capacity (Btu)





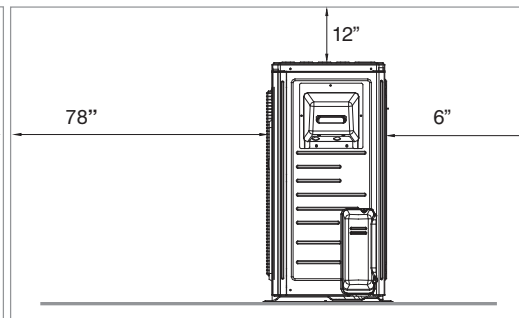
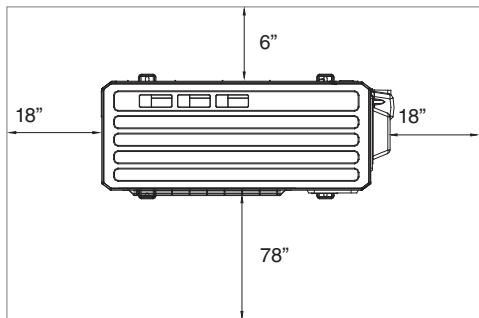
OUTDOOR UNIT

Dimensions (inches)	
W	40 5/32"
H	32 33/64"
D	16 13/16"

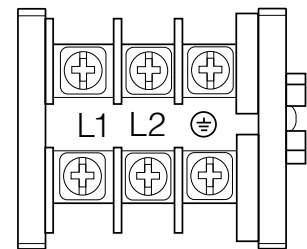


Unit: inch

CLEARANCES



TERMINAL BLOCK



FEATURES

- Heats down to -22 °F
- 208-230/1/60 power input
- Quiet and efficient heating & cooling.
- DC Inverter technology
- Wide working ambient temperature ranges
- Compact outdoor unit with side discharge
- Outdoor unit ships pre-charged.
- High quality compressors
- Durable powder coated cabinet
- Standard flare brass connection valves
- Built to ETL/UL/CSA/AHRI standards
- Easy installation and maintenance

YMGI Group

601 Arrow Ln, O'Fallon, Missouri 63366
 Phone: 1-866-833-3138
 Fax: 1-866-377-3355
 ymgigroup.com
 sales@ymgigroup.com

Sales Representative or Distributor: